

TASCAM

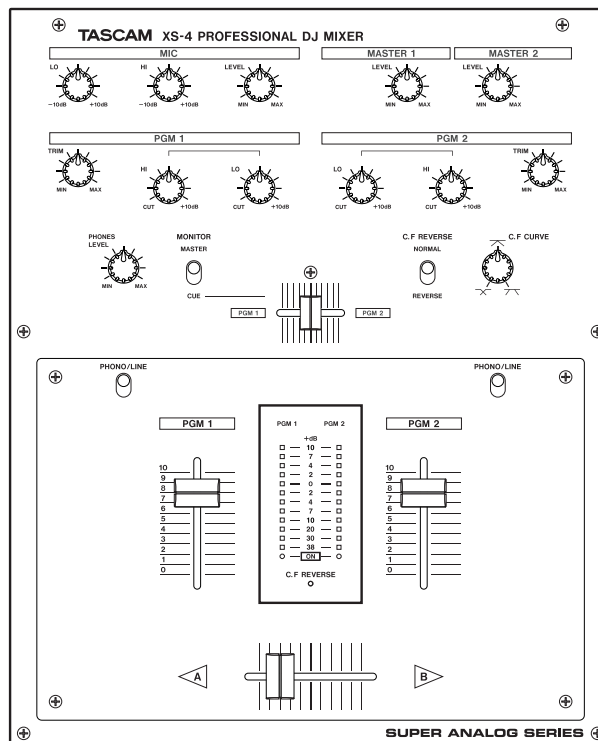
TEAC Professional Division

D00685900A

XS-4

Professional DJ Mixer

OWNER'S MANUAL / MODE D'EMPLOI / BEDIENUNGSANLEITUNG /
MANUALE D'ISTRUZIONI / Mezclador de DJ profesional



CAUTION
RISK OF ELECTRIC SHOCK
DO NOT OPEN



CAUTION: TO REDUCE THE RISK OF ELECTRIC SHOCK, DO NOT REMOVE COVER (OR BACK). NO USER-SERVICEABLE PARTS INSIDE. REFER SERVICING TO QUALIFIED SERVICE PERSONNEL.



The lightning flash with arrowhead symbol, within an equilateral triangle, is intended to alert the user to the presence of uninsulated "dangerous voltage" within the product's enclosure that may be of sufficient magnitude to constitute a risk of electric shock to persons.



The exclamation point within an equilateral triangle is intended to alert the user to the presence of important operating and maintenance (servicing) instructions in the literature accompanying the appliance.

This appliance has a serial number located on the bottom. Please record the model number and serial number and retain them for your records.

Model number _____
Serial number _____

WARNING: TO PREVENT FIRE OR SHOCK HAZARD, DO NOT EXPOSE THIS APPLIANCE TO RAIN OR MOISTURE.

IMPORTANT (for U.K. Customers)

DO NOT cut off the mains plug from this equipment.

If the plug fitted is not suitable for the power points in your home or the cable is too short to reach a power point, then obtain an appropriate safety approved extension lead or consult your dealer.

If nonetheless the mains plug is cut off, remove the fuse and dispose of the plug immediately, to avoid a possible shock hazard by inadvertent connection to the mains supply.

If this product is not provided with a mains plug, or one has to be fitted, then follow the instructions given below:

IMPORTANT: DO NOT make any connection to the larger terminal which is marked by the letter E or by the safety earth symbol \perp or coloured GREEN or GREEN-and-YELLOW.

The wires in this mains lead are coloured in accordance with the following code:

BLUE	: NEUTRAL
BROWN	: LIVE

As the colours of the wires in the mains lead of this apparatus may not correspond with the coloured markings identifying the terminals in your plug proceed as follows:

The wire which is coloured BLUE must be connected to the terminal which is marked with the letter N or coloured BLACK.

The wire which is coloured BROWN must be connected to the terminal which is marked with the letter L or coloured RED.

When replacing the fuse only a correctly rated approved type should be used and be sure to re-fit the fuse cover.

IF IN DOUBT — CONSULT A COMPETENT ELECTRICIAN.

For U.S.A

TO THE USER

This equipment has been tested and found to comply with the limits for a Class A digital device, pursuant to Part 15 of the FCC Rules. These limits are designed to provide reasonable protection against harmful interference when the equipment is operated in a commercial environment. This equipment generates, uses, and can radiate radio frequency energy and, if not installed and used in accordance with the instruction manual, may cause harmful interference to radio communications.

Operation of this equipment in a residential area is likely to cause harmful interference in which case the user will be required to correct the interference at his own expense.

CAUTION

Changes or modifications to this equipment not expressly approved by TEAC CORPORATION for compliance could void the user's authority to operate this equipment.

For the consumers in Europe

WARNING

This is a Class A product. In a domestic environment, this product may cause radio interference in which case the user may be required to take adequate measures.

Pour les utilisateurs en Europe

AVERTISSEMENT

Il s'agit d'un produit de Classe A. Dans un environnement domestique, cet appareil peut provoquer des interférences radio, dans ce cas l'utilisateur peut être amené à prendre des mesures appropriées.

Für Kunden in Europa

Warnung

Dies is eine Einrichtung, welche die Funk-Entstörung nach Klasse A besitzt. Diese Einrichtung kann im Wohnbereich Funkstörungen verursachen ; in diesem Fall kann vom Betreiber verlangt werden, angemessene Maßnahmen durchzuführen und dafür aufzukommen.

The equipment draws nominal non-operating power from the AC outlet with its POWER switch in the off position.

CAUTION:

- **Read all of these Instructions.**
- **Save these Instructions for later use.**
- **Follow all Warnings and Instructions marked on the audio equipment.**

- 1) **Read Instructions** — All the safety and operating instructions should be read before the product is operated.
- 2) **Retain Instructions** — The safety and operating instructions should be retained for future reference.
- 3) **Heed Warnings** — All warnings on the product and in the operating instructions should be adhered to.
- 4) **Follow Instructions** — All operating and use instructions should be followed.
- 5) **Cleaning** — Unplug this product from the wall outlet before cleaning. Do not use liquid cleaners or aerosol cleaners. Use a damp cloth for cleaning.
- 6) **Attachments** — Do not use attachments not recommended by the product manufacturer as they may cause hazards.
- 7) **Water and Moisture** — Do not use this product near water — for example, near a bath tub, wash bowl, kitchen sink, or laundry tub; in a wet basement; or near a swimming pool; and the like.
- 8) **Accessories** — Do not place this product on an unstable cart, stand, tripod, bracket, or table. The product may fall, causing serious injury to a child or adult, and serious damage to the product. Use only with a cart, stand, tripod, bracket, or table recommended by the manufacturer, or sold with the product. Any mounting of the product should follow the manufacturer's instructions, and should use a mounting accessory recommended by the manufacturer.
- 9) A product and cart combination should be moved with care. Quick stops, excessive force, and uneven surfaces may cause the product and cart combination to overturn.

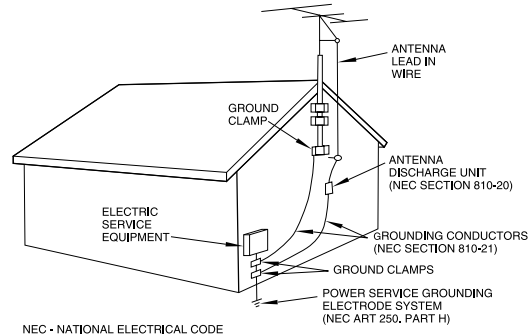


- 10) **Ventilation** — Slots and openings in the cabinet are provided for ventilation and to ensure reliable operation of the product and to protect it from overheating, and these openings must not be blocked or covered. The openings should never be blocked by placing the product on a bed, sofa, rug, or other similar surface. This product should not be placed in a built-in installation such as a bookcase or rack unless proper ventilation is provided or the manufacturer's instructions have been adhered to.
- 11) **Power Sources** — This product should be operated only from the type of power source indicated on the marking label. If you are not sure of the type of power supply to your home, consult your product dealer or local power company. For products intended to operate from battery power, or other sources, refer to the operating instructions.
- 12) **Grounding or Polarization** — This product may be equipped with a polarized alternating-current line plug (a plug having one blade wider than the other). This plug will fit into the power outlet only one way. This is a safety feature. If you are unable to insert the plug fully into the outlet, try reversing the plug. If the plug should still fail to fit, contact your electrician to replace your obsolete outlet. Do not defeat the safety purpose of the polarized plug.
- 13) **Power-Cord Protection** — Power-supply cords should be routed so that they are not likely to be walked on or pinched by items placed upon or against them, paying particular attention to cords at plugs, convenience receptacles, and the point where they exit from the product.
- 14) **Outdoor Antenna Grounding** — If an outside antenna or cable system is connected to the product, be sure the antenna or cable system is grounded so as to provide some protection against voltage surges and built-up static charges. Article 810 of the National Electrical Code, ANSI/NFPA 70, provides information with regard to proper grounding of the mast and supporting structure, grounding of the lead-in wire to an antenna discharge unit, size of grounding conductors, location of antenna-discharge unit, connection to grounding electrodes, and requirements for the grounding electrode.

"Note to CATV system installer:

This reminder is provided to call the CATV system installer's attention to Section 820-40 of the NEC which provides guidelines for proper grounding and, in particular, specifies that the cable ground shall be connected to the grounding system of the building, as close to the point of cable entry as practical.

Example of Antenna Grounding as per National Electrical Code, ANSI/NFPA 70



- 15) **Lightning** — For added protection for this product during a lightning storm, or when it is left unattended and unused for long periods of time, unplug it from the wall outlet and disconnect the antenna or cable system. This will prevent damage to the product due to lightning and power-line surges.
- 16) **Power Lines** — An outside antenna system should not be located in the vicinity of overhead power lines or other electric light or power circuits, or where it can fall into such power lines or circuits. When installing an outside antenna system, extreme care should be taken to keep from touching such power lines or circuits as contact with them might be fatal.
- 17) **Overloading** — Do not overload wall outlets, extension cords, or integral convenience receptacles as this can result in risk of fire or electric shock.
- 18) **Object and Liquid Entry** — Never push objects of any kind into this product through openings as they may touch dangerous voltage points or short-out parts that could result in a fire or electric shock. Never spill liquid of any kind on the product.
- 19) **Servicing** — Do not attempt to service this product yourself as opening or removing covers may expose you to dangerous voltage or other hazards. Refer all servicing to qualified service personnel.
- 20) **Damage Requiring Service** — Unplug this product from the wall outlet and refer servicing to qualified service personnel under the following conditions:
 - a) when the power-supply cord or plug is damaged.
 - b) if liquid has been spilled, or objects have fallen into the product.
 - c) if the product has been exposed to rain or water.
 - d) if the product does not operate normally by following the operating instructions. Adjust only those controls that are covered by the operating instructions as an improper adjustment of other controls may result in damage and will often require extensive work by a qualified technician to restore the product to its normal operation.
 - e) if the product has been dropped or damaged in any way.
 - f) when the product exhibits a distinct change in performance — this indicates a need for service.
- 21) **Replacement Parts** — When replacement parts are required, be sure the service technician has used replacement parts specified by the manufacturer or have the same characteristics as the original part. Unauthorized substitutions may result in fire, electric shock, or other hazards.
- 22) **Safety Check** — Upon completion of any service or repairs to this product, ask the service technician to perform safety checks to determine that the product is in proper operating condition.
- 23) **Wall or Ceiling Mounting** — The product should be mounted to a wall or ceiling only as recommended by the manufacturer.
- 24) **Heat** — The product should be situated away from heat sources such as radiators, heat registers, stoves, or other products (including amplifiers) that produce heat.

Table of contents

1. Introduction.....	4
1.1. Some notes and precautions	4
1.2. Serial number, etc.	4
2. Features and controls	5
2.1. Top panel	6
2.2. How to replace the fader.....	6
2.3. Rear panel	7
2.4. Front panel.....	7
3. Modification.....	8
3.1. Output level	8
4. Specifications	8
5. Block diagram	Back page

1. Introduction

The XS-4 is a sophisticated 2 channel DJ mixer which allows the connection of many devices, and allows you to mix in a creative way. Following the sophisticated layout design, the XS-4 combines easy operation with a wide range of functions.

It is VERY IMPORTANT that you read this manual before connecting the mixer in order to obtain its maximum performance.

We recommend our authorised Technical Services whenever any maintenance task should be needed so that optimum operation shall be achieved.

1.1. Some notes and precautions

Treat the XS-4 as you would any other piece of precision equipment.

Avoid exposing it to extremes of temperature and humidity and avoid mechanical shocks and vibration.

Keep the unit away from strong magnetic fields (TV sets, computer monitors, large electric motors, etc.).

Environmental considerations

The XS-4 may be used in most areas, but to maintain top performance, and prolong operating life, observe the following environmental conditions:

The nominal temperature should be between 5°C and 35°C (41°F and 95°F).

Relative humidity should be 30 to 90 degrees non-condensing.

As the unit may become hot during operation, always leave sufficient space above and around the unit for ventilation.

Do not install this equipment in a confined space such as a bookcase or similar unit.

You should not place the unit on a piece of equipment generating heat, e.g. an amplifier, to avoid possible problems with overheating.

XS-4 operates under 100 to 240V, 50-60Hz. Make sure that the power cable is far away from the signal cables in order to avoid any possible audio hum.

NOTE

When transporting the unit, always use the original packing materials or a properly-designed equipment case. For this reason, we strongly recommend that you save all the packing materials that came with the XS-4, in case you need to transport it in the future.

In order to protect the unit from an eventual electrical overload it carries a 250mA fuse . Should it ever blow up, unplug the unit from mains and replace it with an identical one. If the new fuse blows again, contact immediately with our authorized technical service.

WARNING

NEVER SHORT-CIRCUIT THE SECURITY PATH NOR USE A HIGHER VALUE FUSE.

Fuse substitutions have to be performed by a qualified technician.

Connections to other equipment

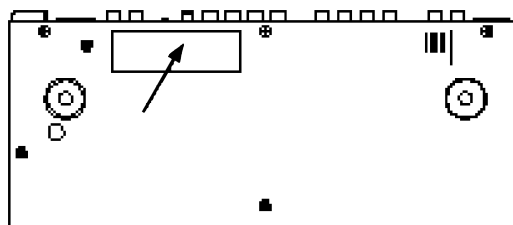
It is extremely important that the power is turned off on all units when making or breaking connections to or from the XS-4.

When turning power on, it is usually a good idea to start with the source (turntables, CD players, etc.), then the XS-4 and finish with the amplifier system.

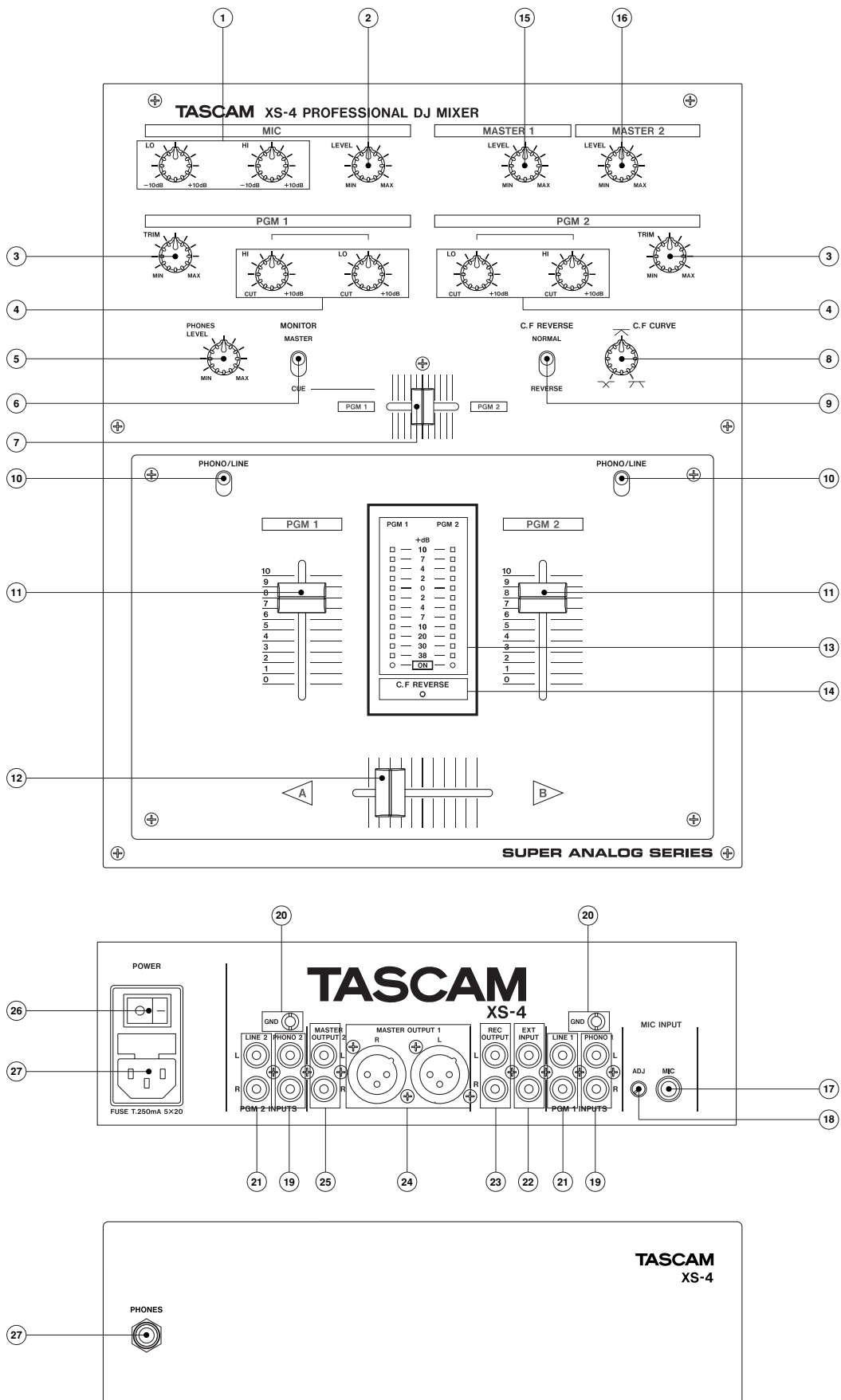
Turning power off should be done in the other direction (amplifiers first, then other equipment).

1.2. Serial number, etc.

The serial number of the XS-4 is located on a sticker at the front of the unit on the bottom panel. Make a note of this for future reference (warranty, etc.).



2. Features and controls



2.1. Top Panel

① MIC EQ

2-band EQ for microphone input signal.

② MIC LEVEL

Adjusts the MIC input signal level.

③ TRIM

Adjusts the input signal level of each PGM.

NOTE

All input sensitivity adjustment must be done by very carefully using level meter and/or headphones as a reference and avoiding that all the red LEDs of the level meter light up, otherwise input could be clipped (overload).

④ PGM EQ

2-band EQ for each PGM signal.

⑤ PHONES LEVEL

Adjusts the headphone output level.

⑥ MONITOR MASTER/CUE

Selects the way of monitoring in the headphones.

CUE: This way allows you to monitor the PGM signals adjusted by cue balance fader.

MASTER: This way allows you to monitor the MASTER signal.

⑦ CUE BALANCE

Adjusts the balance between PGM 1 and PGM 2 signal in the headphones.

⑧ CROSS FADER CURVE

Allows you to adjust the CROSS FADER response curve from soft (counter-clockwise) to hard (clockwise).

⑨ CROSS FADER REVERSE

Sets the direction of CROSS FADER operation.

NORMAL: Moving the CROSS FADER toward A makes A signal louder and the other way round.

REVERSE: Moving the CROSS FADER toward A makes B signal louder and the other way round.

⑩ PHONO/LINE

Selects the input signal (PHONO or LINE) of each PGM.

⑪ PGM FADER

Adjusts the PGM level.

PGM FADER is user replaceable..

⑫ CROSS FADER

Mixes the PGM 1 and PGM 2 signals.

CROSS FADER is user replaceable. It is possible to set the CROSS FADER curve and reversal.

⑬ INPUT LEVEL METER

Indicates the signal level of each PGM.

The lowest LEDs are power on LEDs. When you turn on the power, these LEDs will be lit up.

NOTE

LEVEL METER indicates the post EQ signals.

⑭ CROSSFADER REVERSE indicators

When CROSS FADER is reversed, the LED will light up.

⑮ MASTER 1 LEVEL

Adjusts MASTER OUT 1 (balanced XLR connectors) output level.

⑯ MASTER 2 LEVEL

Adjusts MASTER OUT 2 (unbalanced RCA jacks) output level.

2.2. How to replace the fader

1. Remove the fader knobs.
2. Remove the four screws from the fader panel surface.
3. Remove the fader panel.
4. Remove the screws that correspond to the fader you wish to exchange.
5. Unplug the multi-cable connector that connected to the fader.
6. Replace it with a new one.
7. Plug in the multi-cable connector.
8. Replace the fader with the screws.
9. Replace the fader panel with the screws.
10. Replace the fader knobs.

2.3. Rear Panel

⑰ MIC INPUT (balanced TRS connector)

Connect the microphone to this connector.

Connections are as follows:

	TRS
HOT:	Tip
COLD:	Ring
GND:	Sleeve

NOTE

If you connect the unbalanced microphone to this connector, we recommend that cold (Pin 3 or Ring) short-circuited to GND (Pin 1 or Sleeve).

⑱ ADJ

Adjusts the microphone input signal gain.

NOTE

MIC input sensitivity adjustment must be done by very carefully using the headphones as a reference and avoiding that input could be clipped (overload).

⑲ PHONO INPUTS (unbalanced RCA jacks)

Connect the turntables equipped with the MM cartridge.

⑳ GND terminal

If the turntables are fitted with grounding wires, connect these to this GND terminal to reduce noise and hum.

㉑ LINE INPUTS (unbalanced RCA jacks)

Connect the line level equipment, such as CD players, cassette decks, DAT, MD, etc.

㉒ EXT INPUT (unbalanced RCA jacks)

Connect external line level equipment.

The input signals from these jacks are mixed to master bus (pre MASTER 1/2 control).

㉓ REC OUTPUT (unbalanced RCA jacks)

Outputs the pre MASTER 1/2 signal.

For example, to connect the recorder to these jacks, you can record your live performance before MASTER LEVEL control.

㉔ MASTER OUTPUT 1 (balanced XLR connector)

Outputs the master output signal adjusted by MASTER 1 control.

Connections are as follows:

HOT:	Pin 2
COLD:	Pin 3
GND:	Pin 1

㉕ MASTER OUTPUT 2 (unbalanced RCA jacks)

Outputs the master output signal adjusted by MASTER 2 control.

㉖ POWER switch

㉗ AC POWER jack

2.4. Front Panel

㉘ PHONES

Connect your headphone to this jack.

3. Modification

3.1. Output level

XS-4 has two MASTER outputs.

MASTER OUTPUT 1 (27): Balanced XLR connectors

MASTER OUTPUT 2 (28): Unbalanced RCA jacks

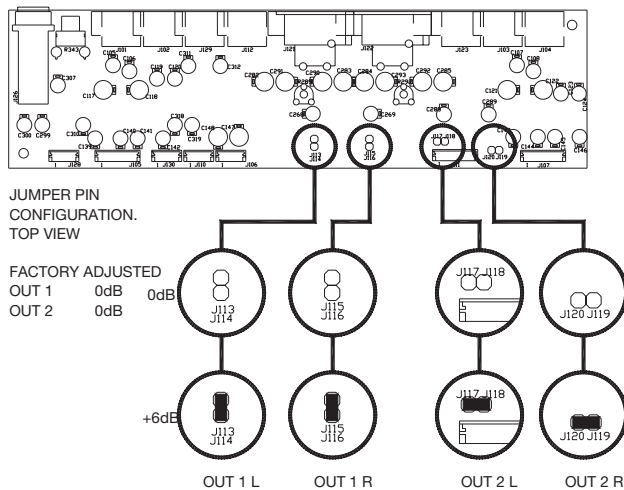
These output level is set to 0 dBV. These output levels can be changed to +6dBV with jumpers. (See diagram below.)

WARNING

Changes on the Output Level have to be performed by a qualified technician.

NOTE

You must be careful when setting up the nominal output level of the mixer. The "clip" display of the connected power amplifiers must never remain permanently lightened up, but do it occasionally by following the rhythm of the bass signals that are being played.



4. Specifications

LINE IN (PGM1-4):	RCA, unbalanced
Input Level:	-10dBV
Input impedance:	50kohm
PHONO IN (PGM1-4)	RCA, unbalanced
Input Level:	-45dBV
Input impedance:	50kohm
MIC INPUT	TRS, balanced
Input Level:	-50dBV ~ -30dBV
Input impedance:	1.5kohm
EXT INPUT:	RCA, unbalanced
Input Level:	0dBV
Input impedance:	20kohm
MASTER OUT 1:	XLR, balanced
Nominal Output Level:	0dBV
Output impedance:	600ohm
MASTER OUT 2:	RCA, unbalanced
Nominal Output Level:	0dBV
Output Impedance:	1kohm
REC OUT:	RCA, unbalanced
Nominal Output Level:	0dBV
Output Impedance:	10kohm
PHONES:	230mW, (at 400ohm)
Frequency Response:	
LINE IN:	10Hz to 30KHz, -1.0dB
PHONO IN:	RIAA, +/-0.5dB
MIC IN:	10Hz to 30KHz, -1.0dB
Signal to Noise Ratio:	
LINE IN:	95dB (IHF A WTD)
PHONO IN:	90dB (IHF A WTD)
MIC IN:	75dB (IHF A WTD)
Total Harmonic Distortion:	
LINE IN:	<0.08%
PHONO IN:	<0.09%
MIC IN:	<0.15%
EQ	
HIGH:	6.5kHz, +10dB ~ -30dB
LOW:	200Hz, +10dB ~ -30dB
Power Requirement:	100V-240V(50Hz-60Hz)
Power Consumption:	22VA
Dimension (mm):	265(W) x 80(H) x 325(D)
Weight:	3.6kg

All specifications subject to change without notice.

IMPORTANT (pour le Royaume-Uni)

Ne modifiez pas le cordon d'alimentation de cet appareil.

Si le cordon livré avec l'appareil ne correspond pas aux prises dont vous disposez ou s'il est trop court pour atteindre ces prises, procurez vous un cordon du modèle approprié auprès de votre revendeur agréé.

Si le cordon d'alimentation venait à être coupé ou endommagé, retirez le fusible de l'appareil et débranchez immédiatement la prise pour éviter tout court circuit lors d'une mise sous tension accidentelle.

Si le cordon n'est pas équipé d'une prise adéquate, ou s'il doit être adapté suivez scrupuleusement les instructions ci après :

IMPORTANT: N'EFFECTUEZ AUCUNE connexion au niveau de la broche repérée par la lettre E ou par le symbole de masse \perp ou encore coloré en VERT ou JAUNE et VERT.

Les couleurs des fils du cordon secteur correspondent au code suivant :

BLEU	: NEUTRE
MARRON	: PHASE

Les couleurs du cordon de cet appareil pouvant ne pas correspondre aux identifications présentes sur vos connecteurs, suivez les instructions ci après:

Le fil BLEU doit être relié à la broche repérée par la lettre N ou colorée en NOIR.

Le fil MARRON doit être relié à la broche repérée par la lettre L ou colorée en ROUGE.

En cas de remplacement du fusible, utilisez toujours un fusible de même calibre et remettez bien en place son couvercle de protection.

EN CAS DE DOUTE, ADRESSEZ VOUS À UN ÉLECTRICIEN COMPÉTENT.

Pour les États-Unis

À DESTINATION DE L'UTILISATEUR

Cet appareil a été testé et correspond aux limites de la classe A des appareils numériques, en conformité avec le chapitre 15 des règles de la FCC. Ces limites sont destinées à procurer une protection satisfaisante contre les interférences radio dans les installations commerciales. Cet appareil génère, utilise et peut émettre des ondes radioélectriques et peut aussi, quand il n'est pas installé de manière convenable, occasionner des interférences dans les communications radio.

L'utilisation de cet appareil dans un environnement domestique peut perturber la réception radio ou TV et l'utilisateur est invité à prendre par lui-même toutes les mesures nécessaires pour corriger ces problèmes.

ATTENTION

Toute modification ou changement du système non explicitement approuvés par TEAC CORPORATION peut invalider le droit de l'utilisateur à se servir de cet appareil.

For the consumers in Europe

WARNING

This is a Class A product. In a domestic environment, this product may cause radio interference in which case the user may be required to take adequate measures.

Pour les utilisateurs en Europe

AVERTISSEMENT

Il s'agit d'un produit de Classe A. Dans un environnement domestique, cet appareil peut provoquer des interférences radio, dans ce cas l'utilisateur peut être amené à prendre des mesures appropriées.

Für Kunden in Europa

Warnung

Dies is eine Einrichtung, welche die Funk Entstörung nach Klasse A besitzt. Diese Einrichtung kann im Wohnbereich Funkstörungen verursachen ; in diesem Fall kann vom Betreiber verlang werden, angemessene Maßnahmen durchzuführen und dafür aufzukommen.

Cet appareil persiste à délivrer un courant nominal au niveau de son connecteur d'alimentation quand l'interrupteur est en position «off».

AVERTISSEMENT :

- Lisez attentivement toutes ces instructions.
- Placez-les en lieu sûr pour pouvoir vous y référer ultérieurement.
- Tenez compte de tous les avertissements présents sur vos appareils.

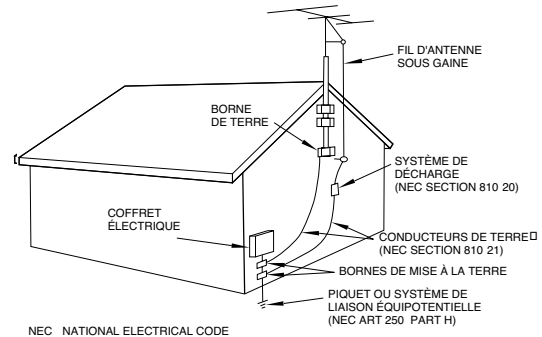
- 1) Lisez les instructions** Toutes les instructions de sécurité et d'utilisation doivent avoir été lues avant de commencer à utiliser l'appareil.
- 2) Retenez les instructions** Elles doivent servir de référence permanente pour tout ce qui suit.
- 3) Tenez compte des avertissements** Tous les avertissements présents sur le produit ou dans les manuels doivent être pris en compte.
- 4) Suivez les instructions** Toutes les instructions d'utilisation et de mise en œuvre doivent être scrupuleusement suivies.
- 5) Nettoyage** Débranchez le cordon secteur avant tout nettoyage. N'utilisez ni aérosols ni produits liquides. Nettoyez votre appareil à l'aide d'un chiffon doux légèrement imbibé d'eau claire.
- 6) Accessoires** N'utilisez pas d'accessoires non recommandés par le constructeur et qui pourraient causer des accidents.
- 7) Eau et humidité** L'appareil ne doit pas être utilisé près de l'eau, par exemple près d'une baignoire, d'un évier, dans un sous-sol humide, près d'une piscine ou tout ce qui y ressemble de près ou de loin.
- 8) Supports et supports mobiles** N'installez pas l'appareil sur un support instable. Il pourrait tomber et blesser un adulte ou un enfant et se trouver détruit partiellement ou totalement. N'utilisez que des supports, stands, systèmes de montage recommandés par le constructeur ou vendus avec l'appareil. Le montage de l'appareil ne doit être fait qu'en suivant scrupuleusement les instructions du constructeur et doit n'utiliser que les composants recommandés par lui.
- 9) Un appareil fixé dans un rack mobile doit être manipulé avec précautions.** Les arrêts brutaux, les poussées trop vigoureuses et les sols irréguliers peuvent faire basculer l'ensemble.



- 10) Ventilation** Les orifices présents sur l'appareil sont destinés à sa ventilation et à son bon fonctionnement, en empêchant toute surchauffe. Cese orifices ne doivent pas être obturés ou bloqués et l'appareil ne doit pas être installé sur un lit, un canapé, une couverture ou des surfaces similaires. Il ne doit pas non plus être encastré dans des enceintes confinées comme des étagères étroites ou des meubles qui pourraient limiter la quantité d'air disponible aux entrées de ventilation.
- 11) Alimentation** L'appareil ne doit être relié qu'à une source électrique du type décrit dans le mode d'emploi ou sérigraphié sur le produit. Si vous n'êtes pas sûr du type de courant dont vous disposez, adressez-vous à un électricien ou à votre revendeur avant toute mise sous tension. Pour les produits destinés à fonctionner sur piles ou sur d'autres types de source électrique, reportez-vous au mode d'emploi de l'appareil.
- 12) Mise à la terre ou à la masse et polarisation** Ce produit peut être équipé d'une prise polarisée (une broche plus large que l'autre). Ce type de prise ne peut se brancher que dans un seul sens et il s'agit d'une mesure de sécurité. Si vous ne pouvez pas insérer votre prise, tentez de la retourner dans l'autre sens. Si vous n'y arrivez dans aucun sens, adressez-vous à votre électricien pour faire poser une prise du modèle adapté. Ne supprimez en aucun cas la fonction de sécurité des prises polarisées.
- 13) Protection des câbles d'alimentation** Le cheminement des câbles d'alimentation doit être prévu de telle sorte qu'ils ne puissent pas être piétinés, pincés, coincés par d'autres appareils posés dessus, et une attention toute particulière doit être accordée à l'adéquation des prises et à la liaison du cordon avec l'appareil.
- 14) Mise à la terre d'une antenne extérieure** Si une antenne extérieure est branchée au produit, assurez-vous qu'elle est bien mise à la terre et protégée contre les surcharges électriques et les effets d'électricité statique. Les informations sur la bonne façon de relier le mât à la terre, ainsi que le fil d'antenne, la position du système de décharge, le diamètre et la nature des conducteurs et du piquet de terre sont contenues dans l'article 810 du National Electrical Code, ANSI/NFPA 70.

"Note à l'attention des installateurs de réseaux câblés :

Nous attirons l'attention des installateurs de réseaux câblés sur l'article 820-40 NEC concernant la mise à la terre de tels réseaux, et en particulier sur le fait que le câble doit être relié au système de terre du bâtiment aussi près qu'il est possible de son point d'entrée.

Exemple de mise à la terre d'une antenne selon le National Electrical Code, ANSI/NFPA 70

- 15) Foudre** Pour une protection accrue en cas d'orage ou si l'appareil doit rester inutilisé pendant une longue période, nous conseillons de débrancher son cordon d'alimentation quand il n'est pas en fonction, et de débrancher une éventuelle antenne reliée.
- 16) Lignes haute tension** Une éventuelle antenne extérieure doit être tenue à l'écart des lignes haute tension comme de tout circuit d'alimentation ou d'éclairage, ou doit ne pas pouvoir tomber sur de tels câbles suspendus. Lors de l'installation d'une telle antenne, vous devez prendre toutes les précautions nécessaires pour éviter de toucher de telles lignes pendant le montage, leur contact pouvant être fatal.
- 17) Surcharge électrique** Ne surchargez pas votre système d'alimentation, qu'il s'agisse de prolongateurs, de prises murales, de multiprises ou d'adaptateurs, sous peine de risquer une surchauffe du circuit et de causer un incendie.
- 18) Corps et liquides étrangers** On doit être attentif en permanence à ne pas laisser entrer d'éléments ou de liquides étrangers dans l'appareil. Il pourrait en résulter électrocutions et incendies. Ne versez jamais aucun liquide sur l'appareil.
- 19) Maintenance** Ne tentez aucune opération de maintenance par vous-même sur cet appareil. Son ouverture ou la suppression des protections pourrait vous mettre au contact de courants élevés et provoquer une électrocution. Reportez-vous toujours auprès d'un réparateur qualifié.
- 20) Réparations** Débranchez immédiatement l'appareil et adressez-vous au plus vite à un réparateur agréé dans les cas suivants :
- le cordon d'alimentation ou la prise a été endommagé.
 - des corps étrangers ou du liquide se sont introduits dans l'appareil.
 - l'appareil a été exposé à la pluie ou est mouillé.
 - l'appareil ne semble pas fonctionner normalement ou selon les indications du mode d'emploi. Ne manipulez que les contrôles autorisés par le mode d'emploi. La manipulation d'autres réglages nécessitera la plupart du temps l'intervention d'un technicien pour restaurer les paramètres de fonctionnement normal.
 - l'appareil est tombé ou son châssis a été endommagé.
 - l'appareil affiche des performances nettement modifiées.
- 21) Pièces détachées** Si le remplacement de certaines pièces s'avère nécessaire, vérifiez que votre technicien utilise bien des pièces approuvées par le constructeur ou présentant les mêmes caractéristiques que les pièces d'origine. Toute substitution non autorisée pourrait entraîner électrocutions, incendies ou accidents.
- 22) Contrôle de sécurité** Après toute opération de maintenance, demandez au technicien d'opérer un contrôle de sécurité pour confirmer le fonctionnement correct de l'appareil.
- 23) Pose aux murs ou au plafond** L'appareil ne doit être accroché au mur ou au plafond que dans les conditions décrites par le constructeur.
- 24) Chaleur** L'appareil doit être tenu à l'écart de sources de chaleur comme les radiateurs, les bouches de chaleur, les fours ou tout autre appareil créant des températures élevées (incluant les amplificateurs).

Sommaire

1. Introduction.....	11
1.1. Remarques et précautions.....	11
1.2. Numéro de série, etc.....	11
2. Fonctionnalités et contrôles	12
2.1. Face supérieure	13
2.2. Remplacement d'un fader.....	13
2.3. Face arrière	14
2.4. Face avant	14
3. Modification.....	15
3.1. Niveau de sortie.....	15
4. Caractéristiques.....	15
5. Schéma synoptique	36

1. Introduction

La XS-4 est une console DJ 2 voies permettant de brancher de nombreux appareils et de réaliser des mixages créatifs. Son ergonomie très étudiée lui permet de combiner un accès très simple à des fonctionnalités étendue.

Il est TRÈS IMPORTANT de lire ce manuel en totalité et attentivement avant tout branchement pour en exploiter au mieux les possibilités.

Nous conseillons vivement de faire réaliser les opérations de maintenance exclusivement par des techniciens agréés TASCAM.

1.1. Remarques et précautions

Traitez votre XS-4 avec tout le soin que vous accordez normalement à un outil de précision.

Évitez de l'exposer à des conditions extrêmes de température ou d'humidité et évitez de la soumettre à des chocs ou à des vibrations.

Gardez-la à l'écart des champs magnétiques intenses (récepteurs TV, moniteurs, moteurs électriques puissants etc.).

Considérations environnementales

La XS-4 peut être utilisée à peu près partout, mais pour lui assurer des performances et une durée de vie maximum nous vous conseillons de veiller aux points suivants :

Sa température de fonctionnement doit rester comprise entre 5°C et 35°C, avec une humidité relative située entre 30 et 90 degrés sans condensation.

Une chauffe modérée intervenant normalement pendant son fonctionnement, nous vous conseillons de ménager un espace suffisant au dessus et sur les côtés de l'appareil pour permettre sa ventilation. Ne l'installez pas dans un espace confiné, dans une bibliothèque ou un mobilier équivalent.

Pour éviter toute surchauffe , ne la placez pas au-dessus de sources de chaleur importantes (amplificateurs ou autres).

La XS-4 fonctionne sur un courant secteur de 100 à 240V, à 50 ou 60Hz. Vérifiez que le câble secteur chemine à distance des câbles audio pour éviter toute induction de ronflement ou de souffle.

REMARQUE

Veillez à ne transporter cet appareil que dans un conditionnement approprié ou dans son emballage d'origine. Nous vous conseillons donc de conserver celui-ci en lieu sûr à toutes fins utiles.

L'appareil est protégé contre les surtensions par un fusible de 250mA. En cas de rupture, débranchez le cordon secteur et remplacez ce fusible par un élément de mêmes caractéristiques. En cas de nouvelle rupture, adressez-vous à un centre de maintenance agréé.

AVERTISSEMENT

N'ANNULEZ EN AUCUN CAS CETTE PROTECTION ET N'UTILISEZ PAS DE FUSIBLES D'UNE VALEUR SUPÉRIEURE.

La substitution du fusible ne doit être éventuellement effectuée que par un technicien qualifié.

Connexions aux autres appareils

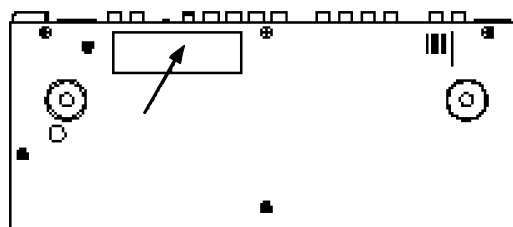
Il est extrêmement important que l'appareil et toutes les unités qui lui sont reliées soient bien hors tension avant d'effectuer quelque modification de branchement que ce soit sur la XS-4.

Lors de la mise sous tension du système, il est habituellement préférable de commencer par les appareils sources (platines disques, lecteurs CD etc.) puis d'allumer la XS-4 et de finir par le système d'amplification.

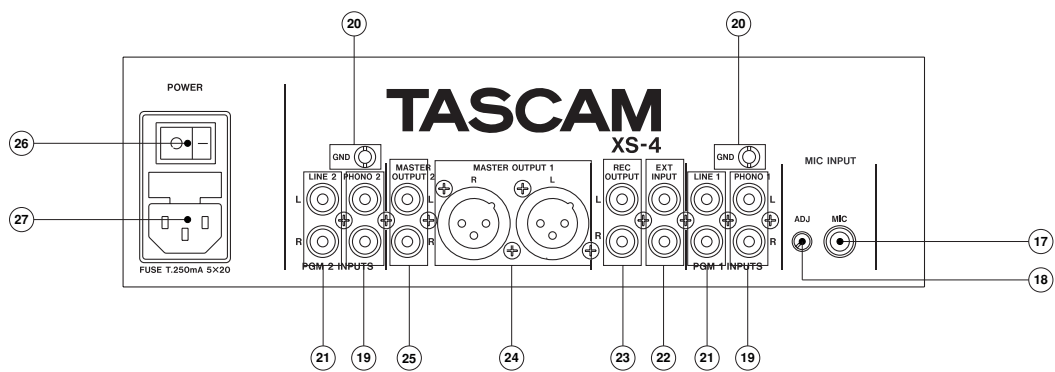
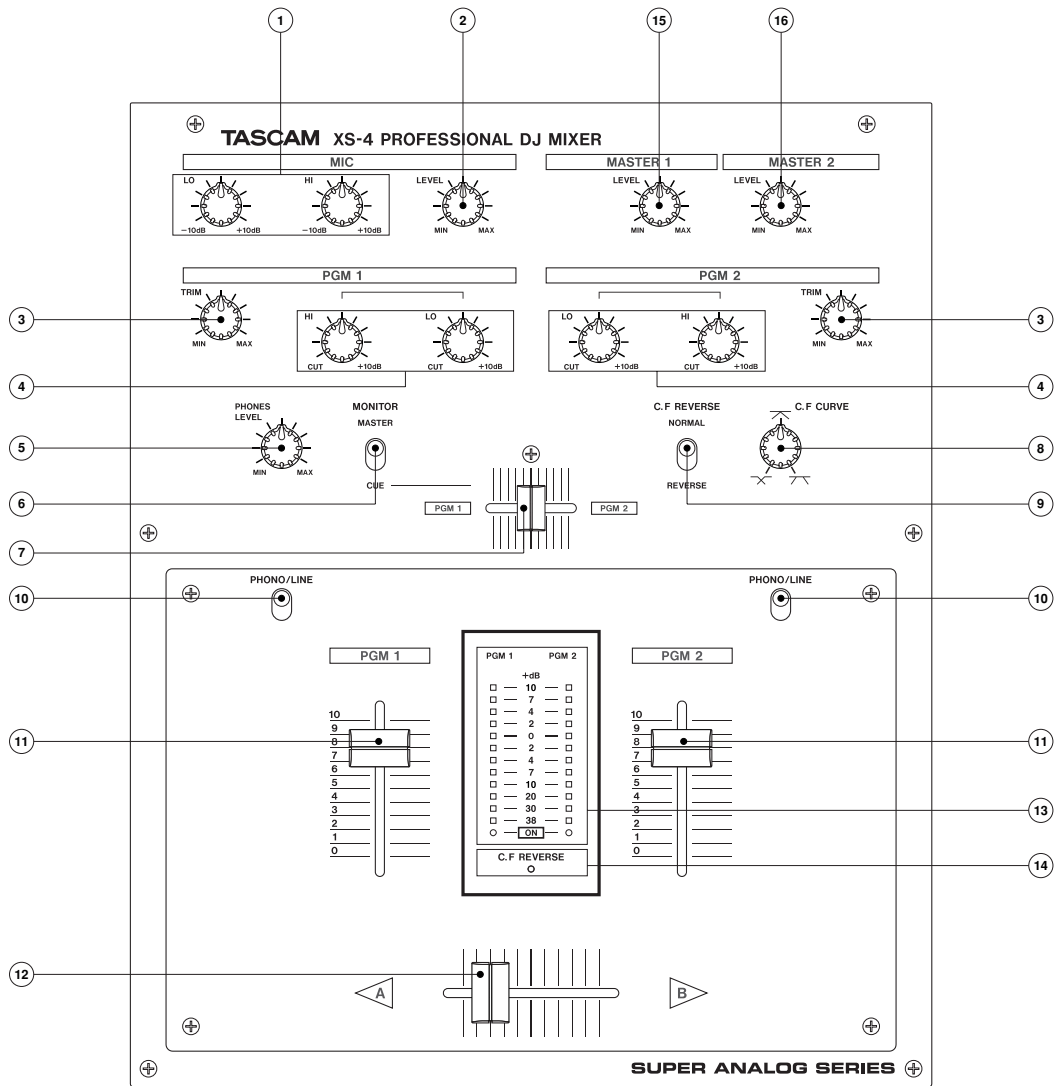
La mise hors tension doit se faire dans l'ordre inverse (amplificateur d'abord, puis autres appareils).

1.2. Numéro de série, etc.

Le numéro de série de la XS-4 se trouve sur une étiquette placée vers l'avant à la face inférieure de l'appareil. Notez-le à toutes fins utiles (mise en œuvre de la garantie, etc.).



2. Fonctionnalités et contrôles



2.1. Face supérieure

① Égaliseur micro (MIC/EQ)

Égaliseur 2 bandes destiné au signal micro.

② Niveau micro (MIC/LEVEL)

Réglage du niveau d'entrée du micro (MIC).

③ Contrôle TRIM

Réglage du gain pour chaque PGM.

REMARQUE

Tous les réglages de sensibilité d'entrée doivent être effectués avec prudence, en utilisant les bargraphes et/ou l'écoute au casque pour éviter toute saturation ou écrêtage.

④ Égaliseur PGM

Égaliseur 2 bandes affecté à chaque signal PGM.

⑤ Contrôle PHONES/LEVEL

Réglage du niveau de sortie casque.

⑥ Sélecteur MONITOR MASTER/CUE

Détermine la source de la pré-écoute casque (monitoring).

CUE: Permet d'écouter les signaux PGM réglés par le fader CUE BALANCE.

MASTER: Permet d'écouter le signal MASTER.

⑦ Fader CUE BALANCE

Détermine la balance au casque entre les signaux PGM 1 et PGM 2.

⑧ Sélecteur rotatif CROSS FADER/CURVE

Permet de choisir la courbe de réponse du CROSS FADER de douce (sens antihoraire) à réactive (sens horaire).

⑨ Sélecteur CROSS FADER/REVERSE

Détermine le sens d'action du CROSS FADER.

NORMAL: Le déplacement du CROSS FADER vers A augmente le signal A et réduit le signal B.

REVERSE: Le déplacement du CROSS FADER vers A augmente le signal B et réduit le signal A.

⑩ Sélecteur PHONO/LINE

Détermine le signal d'entrée (PHONO ou LINE) pour chaque PGM.

⑪ Faders PGM

Règle le niveau des signaux PGM.

Les faders PGM sont amovibles et remplaçables en cas de besoin.

⑫ CROSS FADER

Assure le mélange (ou la transition) entre les signaux PGM 1 et PGM 2.

Le CROSS FADER est amovible et remplaçable en cas de besoin. Sa sensibilité (courbe de réponse) et son sens d'action sont également modifiables.

⑬ Bargraphe de niveau (LEVEL METER).

Indique le niveau du signal de chaque PGM.

Les LED les plus basses indiquent simplement la mise sous tension de l'appareil.

REMARQUE

Le bargraphe LEVEL METER indique le niveau du signal après égalisation (post EQ).

⑭ Témoin CROSSFADER REVERSE

Quand le sens d'action du CROSS FADER est inversé, ce témoin s'allume.

⑮ Contrôle MASTER 1/LEVEL

Règle le niveau de la sortie MASTER OUT 1 (connecteurs XLR symétriques).

⑯ Contrôle MASTER 2/LEVEL

Règle le niveau de la sortie MASTER OUT 2 (connecteurs RCA non symétriques).

2.2. Remplacement d'un fader

1. Retirez les boutons des faders.
2. Retirez les quatre vis de fixation du panneau des faders.
3. Retirez ce panneau.
4. Retirez les vis de fixation du fader que vous voulez remplacer.
5. Débranchez la nappe attachée au fader.
6. Remplacez l'ancien fader par le nouveau.
7. Rebranchez la nappe.
8. Remettez en place les vis de fixation du fader.
9. Remettez en place le panneau des faders et vissez-le.
10. Remettez en place les boutons des faders.

2.3. Face arrière

⑰ Entrées MIC INPUT (connecteurs XLR/TRS symétriques)

Permettant le branchement du micro.
Le brochage se présente comme suit :

	TRS
Point chaud :	extrémité
Point froid :	anneau
Masse :	corps

REMARQUE

Si vous branchez ici un micro non symétrique, nous vous conseillons de relier le point froid (broche 3 ou anneau) à la masse (broche 1 ou corps).

⑱ Contrôle ADJ

Règle le gain du signal micro.

REMARQUE

Le réglage de la sensibilité d'entrée MIC doit être effectué avec prudence, en utilisant les bargraphes et/ou l'écoute au casque pour éviter toute saturation ou écrêtage.

⑲ Entrées PHONO INPUTS (connecteurs RCA non symétriques).

Permettent le branchement de platines disques équipées d'une cellule magnétique (MM).

⑳ Bornier de masse GND.

Si vos platines-disques disposent d'un branchement à la masse, reliez-le à ce terminal pour réduire les ronflements ou le souffle.

㉑ Entrées LINE INPUTS (connecteurs RCA non symétriques).

Permettent le branchement de sources à niveau ligne comme lecteurs CD, platines cassettes, DAT, MD, etc.

㉒ Entrées EXT INPUT (connecteurs RCA non symétriques).

Permettent le branchement d'unités externes à niveau ligne. Leur signal est mixé avec celui du bus principal (avant atténuation par le contrôle MASTER 1/2).

㉓ Sorties REC OUTPUT (connecteurs RCA non symétriques).

Donnent accès au signal pré-MASTER 1/2.
Elles permettent le branchement d'un magnétophone pour enregistrer, par exemple, votre prestation avant la modification du gain par le contrôle MASTER LEVEL.

㉔ Sorties générales MASTER OUTPUT 1 (connecteurs XLR symétriques).

Donnent accès au signal de sortie réglé par le contrôle MASTER 1.

Le brochage se présente comme suit :

Point chaud :	broche 2
Point froid :	broche 3
Masse :	broche 1

㉕ Sorties générales MASTER OUTPUT 2 (connecteurs RCA non symétriques).

Donnent accès au signal de sortie réglé par le contrôle MASTER 2.

㉖ Interrupteur général POWER

㉗ Connecteur d'alimentation

2.4. Face avant

㉘ Prise casque (PHONES)

Branchez ici votre casque d'écoute.

3. Modification

3.1. Niveau de sortie

La XS-4 dispose de deux sorties MASTER.

MASTER OUTPUT 1 (27): connecteurs XLR symétriques

MASTER OUTPUT 2 (28): connecteurs RCA non symétriques

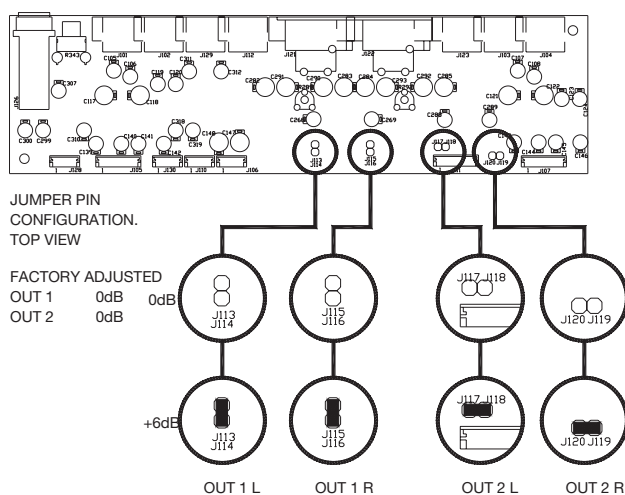
Le niveau de ces sorties est de 0 dBV. Vous pouvez le passer à +6dBV en modifiant la position de certains cavaliers (jumpers) (voir schéma ci-dessous)

AVERTISSEMENT

La modification du niveau de sortie ne doit être effectuée que par un technicien qualifié.

REMARQUE

Vous ne devez modifier le niveau de sortie nominal de cette console qu'avec la plus grande prudence. En particulier les témoins d'écrêtage des amplificateurs qui lui sont reliés ne doivent en aucun cas être allumés en permanence. Ils ne doivent réagir que très occasionnellement, lors d'accentuations du rythme ou de la basse.



4. Caractéristiques

LINE IN (PGM1-4):	RCA, non symétrique
Niveau d'entrée :	-10 dBV
Impédance d'entrée :	50 kOhm
PHONO IN (PGM1-4)	RCA, non symétrique
Niveau d'entrée :	-45 dBV
Impédance d'entrée :	50 kOhm
MIC INPUT	TRS, symétrique
Niveau d'entrée :	-50 dBV ~ -30 dBV
Impédance d'entrée :	1.5 kOhm
EXT INPUT :	RCA, non symétrique
Niveau d'entrée :	0 dBV
Impédance d'entrée :	20 kOhm
MASTER OUT 1 :	XLR, symétrique
Niveau de sortie nominal :	0 dBV
Impédance d'entrée :	600 Ohms
MASTER OUT 2 :	RCA, non symétrique
Niveau de sortie nominal :	0 dBV
Impédance d'entrée :	1 kOhm
REC OUT :	RCA, non symétrique
Niveau de sortie nominal :	0 dBV
Impédance d'entrée :	10 kOhm
PHONES :	230 mW, (sous 400 Ohms)
Bande passante :	
LINE IN :	10 Hz à 30 KHz, -1,0 dB
PHONO IN :	RIAA, +/-0,5 dB
MIC IN :	10 Hz à 30 kHz, -1,0 dB
Rapport signal/bruit :	
LINE IN :	95 dB (pondération A)
PHONO IN :	90 dB (pondération A)
MIC IN :	75 dB (pondération A)
Distorsion harmonique totale :	
LINE IN :	< 0,08 %
PHONO IN :	< 0,09 %
MIC IN :	< 0,15 %
EQ	
HIGH :	6,5 kHz, +10dB ~ -30 dB
LOW :	200Hz, +10dB ~ -30 dB
Tension d'alimentation :	100 - 240 V (50 - 60 Hz)
Consommation :	22 VA
Dimension (mm) :	265(L) x 80(H) x 325(P)
Poids :	3,6 kg

Toutes spécifications sujettes à modification sans préavis.

**Bitte lesen Sie die folgenden
Sicherheitshinweise sorgfältig durch!**

1. Bedienungsanleitung sorgfältig durchlesen – Bitte lesen Sie vor Inbetriebnahme alle Sicherheits- und Bedienungsanweisungen durch.

2. Bedienungsanleitung aufbewahren – So können Sie bei später auftretenden Fragen nachschlagen.

3. Alle Warnhinweise beachten – Dies gilt sowohl für alle Angaben am Gerät als auch in dieser Bedienungsanleitung.

4. Bestimmungsgemäßer Gebrauch – Benutzen Sie das Gerät nur zu dem Zweck und auf die Weise, wie in dieser Bedienungsanleitung beschrieben. Geben Sie das Gerät niemals ohne diese Bedienungsanleitung weiter.

5. Reinigung – Vor der Reinigung das Netzkabel abziehen. Keine Nass- oder Sprühreiniger verwenden. Mit einem feuchten Tuch reinigen.

6. Zusatzgeräte – Zusatzgeräte, die nicht mit den Herstellerempfehlungen übereinstimmen, können Schäden verursachen.

7. Aufstellung

a. **Untersatz** – Niemals einen instabilen Untersatz (fahrbares oder stationäres Gestell, Regal, Halterung, Tisch) verwenden. Andernfalls kann das Gerät herabfallen und hierdurch ernsthaft beschädigt werden sowie ernsthafte Verletzungen hervorrufen. Ausschließlich einen geeigneten und stabilen Untersatz (mitgeliefert oder vom Hersteller empfohlen) benutzen. Zur Befestigung unbedingt die Herstellerangaben beachten und ausschließlich empfohlenes Zubehör verwenden.

b. **Fahrbare Gestelle** – Plötzliche Richtungswechsel und zu rasches Beschleunigen/Bremsen sowie unebenen Untergrund vermeiden, da andernfalls Gestell und/oder Gerät umfallen können.



c. **Hitzeinwirkung** – Das Gerät in ausreichender Entfernung zu Hitze abstrahlenden Vorrichtungen (Heizung, Ofen etc.) und anderen Geräten (Verstärker etc.) aufstellen.

d. **Belüftung** – Die Belüftungsöffnungen des Geräts dürfen niemals blockiert werden. Andernfalls können Überhitzung und Betriebsstörungen auftreten. Das Gerät daher niemals auf einer weichen Unterlage (Kissen, Sofa, Teppich etc.) aufstellen. Bei Einbau in einem Regal, Gestell- oder Einbauschränk unbedingt auf einwandfreien Temperatursausgleich achten. Die diesbezüglichen Herstellerangaben beachten.

e. **Nässe und Feuchtigkeit** – Gerät nicht in unmittelbarer Nähe zu Wasserbehältern (Badewanne, Küchenspüle, Schwimmbad etc.) oder in Räumen betreiben, in denen hohe Luftfeuchtigkeit auftreten kann.

f. **Wand- und Deckenbefestigung** – Hierzu unbedingt die Vorschriften und Empfehlungen des Herstellers beachten.

g. **Außenantennen** – Beim Montieren einer Außenantenne besteht Lebensgefahr, wenn Netz- und Starkstromleitungen berührt werden. Außenantenne und zugehörige Kabel stets in ausreichendem Abstand zu Hochspannungs-, Licht- und anderen Stromleitungen montieren, so dass kein Kontakt möglich ist.

8. Spannungsversorgung – Sicherstellen, dass die örtliche Netzspannung mit der auf dem Gerät angegebenen Netzspannung übereinstimmt. Im Zweifelsfall den Fachhändler oder den verantwortlichen Energieversorger vor Ort befragen. Bei Geräten, die für Batteriebetrieb oder eine andere Spannungsquelle geeignet sind, die zugehörigen Bedienungshinweise beachten.

9. Netzkabel – Das Netzkabel so verlegen, dass es nicht gedehnt, gequetscht oder geknickt werden kann. Insbesondere darauf achten, dass keine Schäden am Stecker, an der Steckdose oder am Netzkabelauszug des Geräts auftreten können. Netzkabel niemals eigenmächtig umbauen, insbesondere die Schutzkontakte des Netzsteckers niemals abkleben.

10. Netzüberlastung – Netzsteckdosen, Verlängerungskabel oder Steckdosenverteiler niemals überlasten, da andernfalls Stromschlag- und Brandgefahr besteht.

11. Gewitter und Nichtgebrauch – Bei Gewittern und längerem Nichtgebrauch des Geräts den Netzstecker und das Antennenkabel herausziehen, um Schäden durch Blitzschlag und/oder Spannungstöße zu vermeiden.

12. Eindringen von Fremdkörpern und Flüssigkeit – Niemals Gegenstände in die Geräteöffnungen einführen, es besteht Stromschlag- und Brandgefahr. Sicherstellen, dass keine Flüssigkeit in das Geräteinnere eindringen kann.

13. Kundendienst – Niemals selbst Wartungsarbeiten vornehmen. Bei geöffnetem Gehäuse besteht Stromschlag- und Verletzungsgefahr. Wartungsarbeiten stets qualifiziertem Fachpersonal überlassen.

14. Schadensbehebung in Fachwerkstätten – In den folgenden Fällen müssen Prüf- und/oder Wartungsarbeiten von qualifiziertem Fachpersonal durchgeführt werden:

- a. Bei beschädigtem Netzkabel oder Netzstecker.
- b. Wenn sich Flüssigkeit oder Fremdkörper im Geräteinneren befinden.
- c. Wenn das Gerät Nässe oder Feuchtigkeit ausgesetzt war.
- d. Wenn bei vorschriftsgemäßer Handhabung Betriebsstörungen auftreten. Bei Störungen nur Gegenmaßnahmen ergreifen, die in der Bedienungsanleitung beschrieben sind. Andernfalls keine weiteren Schritte vornehmen, da hierdurch Schäden verursacht werden können, die Reparaturarbeiten durch Fachpersonal erfordern.
- e. Wenn das Gerät einer heftigen Erschütterung ausgesetzt war oder anderweitig beschädigt wurde.
- f. Bei Leistungsbeeinträchtigungen jeder Art.

15. Teiletausch – Wenn ein Teiletausch erforderlich wird, die Einhaltung der vom Hersteller vorgeschriebenen Ausführungen und technischen Kenndaten beachten. Nicht zulässige Teile können Brand, Stromschlag sowie andere ernsthafte Störungen verursachen.

16. Sicherheitsüberprüfung – Nach Kundendienst- und Reparaturarbeiten stets eine Sicherheitsüberprüfung vom Fachpersonal vornehmen lassen, um einwandfreien Betrieb zu gewährleisten.

Hinweis zur Funkentstörung

Dieses Gerät ist entsprechend Klasse A funkentstört. Es kann in häuslicher Umgebung Funkstörungen verursachen. In einem solchen Fall kann vom Betreiber verlangt werden, mit Hilfe angemessener Maßnahmen für Abhilfe zu sorgen.

Hinweis zum Stromverbrauch

Dieses Gerät verbraucht Ruhestrom, wenn sich der Netzschalter in Stellung OFF befindet.

Inhaltsverzeichnis

1. Einführung	17
1.1. Einige Hinweise und Vorsichtsmaßnahmen	17
1.2. Seriennummer.....	17
2. Funktionen und Bedienelemente.....	18
2.1. Geräteoberseite	19
2.2. Einen Fader austauschen	19
2.3. Geräterückseite	20
2.4. Frontplatte.....	20
3. Voreinstellungen ändern	21
3.1. Ausgangspegel.....	21
4. Technische Daten.....	21
5. Blockschaltbild	36

1. Einführung

Das XS-4 ist ein hochentwickeltes 2-Kanal-DJ-Mischpult, an das Sie ein Vielzahl von Geräten anschließen und so verschiedene Signale auf kreative Weise mischen können. Wie von einem modernen Mischpult zu erwarten, verbindet das XS-4 einfache Bedienung mit einer Vielzahl von Funktionen.

Bitte lesen Sie sich dieses Handbuch unbedingt durch, bevor Sie das Mischpult mit anderen Geräten verbinden. Nur so ist gewährleistet, dass Sie bestmöglichen Nutzen aus dem Gerät ziehen.

Sollten einmal Reparaturen an Ihrem Mischpult notwendig werden, wenden Sie sich bitte an eine von uns autorisierte Kundendienstwerkstätte, um den einwandfreien Betrieb sicherzustellen.

1.1. Einige Hinweise und Vorsichtsmaßnahmen

Behandeln Sie das XS-4 wie jedes andere elektronische Gerät mit der notwendigen Sorgfalt.

Setzen Sie es möglichst nicht extremen Temperaturen oder hoher Luftfeuchtigkeit aus, und vermeiden Sie Stöße und Vibrationen.

Halten Sie das Gerät von starken Magnetfeldern fern (Fernsehgeräten, Computermonitoren, größeren Elektromotoren usw.).

Umgebungsbedingungen

Das XS-4 kann in den meisten Umgebungen betrieben werden. Um eine größtmögliche Lebensdauer und einwandfreien Betrieb zu gewährleisten, sollten Sie jedoch auf folgende Umgebungsbedingungen achten:

- Umgebungstemperatur zwischen 5 °C und 35 °C
- Relative Luftfeuchte zwischen 30% und 90%, nicht kondensierend.

Das Gerät kann während des Betriebs heiß werden; lassen Sie deshalb für die Belüftung immer ausreichend Raum um das Gerät herum frei.

Installieren Sie das Gerät nicht an einem räumlich beengten Ort wie in einem Bücherregal oder Ähnlichem.

Stellen Sie das Gerät niemals direkt auf ein Gerät, das Hitze entwickelt (Verstärker usw.), um ein Überhitzen zu vermeiden.

Das XS-4 kann mit einer Netzspannung von 100 bis 240 V betrieben werden. Um Störgeräusche in Ihrem Audiosignal zu vermeiden, achten Sie darauf, das Netzkabel möglichst weit von den Signalkabeln entfernt zu legen.

WICHTIG

Wenn Sie das Gerät transportieren: Verwenden Sie immer die Originalverpackung oder besser einen speziellen Transportkoffer. Wir empfehlen deshalb nachdrücklich, alle Verpackungsmaterialien des XS-4 aufzubewahren.

Um das Gerät vor einer eventuellen elektrischen Überlastung zu schützen, ist es mit einer 250-mA-Schmelzsicherung versehen. Sollte die Sicherung jemals durchbrennen, trennen Sie das Gerät vom Netz, und ersetzen Sie sie durch eine identische Sicherung. Falls die neue Sicherung auch durchbrennt, wenden Sie sich bitte unverzüglich an eine von uns autorisierte Kundendienstwerkstatt.

VORSICHT

ERSETZEN SIE DIE SICHERUNG UNTER KEINEN UMSTÄNDEN DURCH EINEN DRAHT, ALUFOLIE ODER ÄHNLICHES, UND VERWENDEN SIE KEINE SICHERUNG MIT HÖHERER AMPEREZAHL.

Andere Geräte anschließen

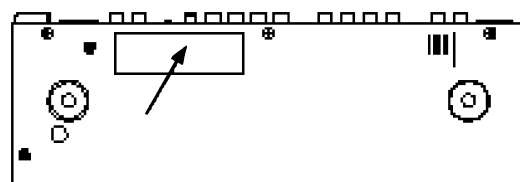
Es ist äußerst wichtig, dass Sie immer zuerst alle Geräte ausschalten, bevor Sie Kabelverbindungen mit dem XS-4 herstellen oder trennen.

Beim Einschalten ist es ratsam, mit den Quellen zu beginnen (Plattenspieler, CD-Player usw.), dann das XS-4 und erst zum Schluss die Verstärkeranlage einzuschalten.

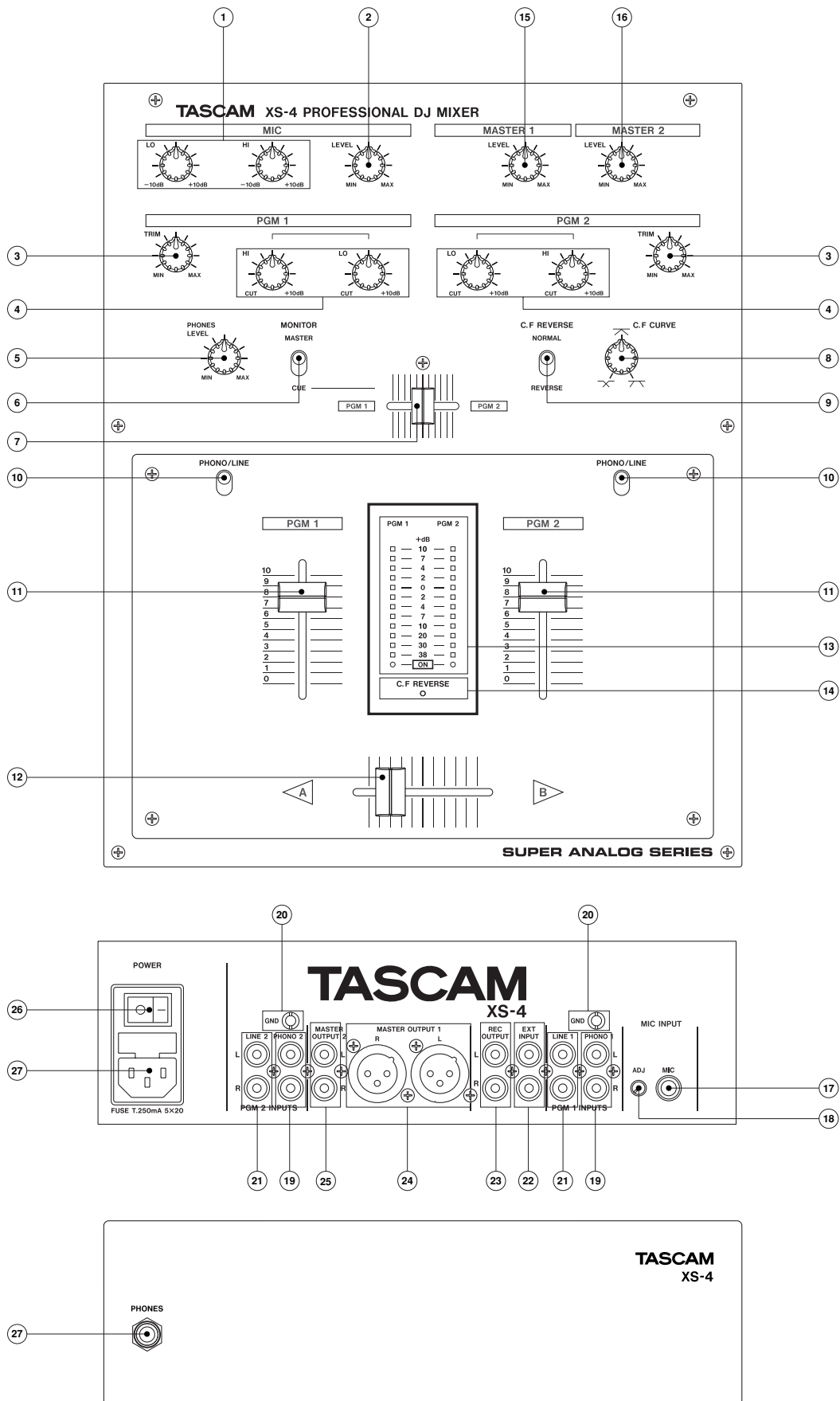
Beim Ausschalten verfahren Sie in umgekehrter Reihenfolge (erst die Verstärker, dann die anderen Geräte).

1.2. Seriennummer

Die Seriennummer des XS-4 befindet sich auf einem Aufkleber vorn auf der Unterseite. Notieren Sie sich diese Seriennummer (für Serviceanfragen, Garantie usw.).



2. Funktionen und Bedienelemente



2.1. Geräteoberseite

① MIC EQ

2-Band-EQ (Klangregelung) für das Mikrofon-Eingangssignal.

② MIC LEVEL

Regelt den Mikrofon-Eingangspegel.

③ TRIM

Regelt den Eingangspegel der beiden PGMs.

WICHTIG

Änderungen an den Eingangspegeln sollten Sie sehr vorsichtig vornehmen und dazu die Pegelanzeige und/oder den Kopfhörer benutzen. Um ein Übersteuern des Eingangssignals zu vermeiden, achten Sie darauf, dass niemals alle roten LEDs der Pegelanzeige aufleuchten.

④ PGM EQ

2-Band-Klangregelung für die beiden PGM-Signale.

⑤ PHONES LEVEL

Dient zum Anpassen des Kopfhörer-Ausgangspegels.

⑥ MONITOR MASTER/CUE

Legt fest, welche Signale Sie über den Kopfhörer abhören.

CUE: Sie hören die mit dem Cue-Balance-Fader eingestellten PGM-Signale ab.

MASTER: Sie hören das MASTER-Signal ab.

⑦ CUE BALANCE

Regelt die Balance zwischen den Signalen PGM 1 und PGM 2 am Kopfhörerausgang.

⑧ CROSS FADER CURVE

Ermöglicht Ihnen, die Lautstärkekurve des Cross-Faders von weich (Drehen gegen den Uhrzeigersinn) bis hart (Drehen im Uhrzeigersinn) einzustellen.

⑨ CROSS FADER NORMAL/REVERSE

Dient zum Einstellen der Bewegungsrichtung des Cross-Faders.

NORMAL: Wenn Sie den Cross-Fader in Richtung A bewegen, wird die Lautstärke von Signal A angehoben.

REVERSE: Wenn Sie den Cross-Fader in Richtung A bewegen, wird die Lautstärke von Signal B angehoben.

⑩ PHONO/LINE

Legt die Art des Eingangssignals für das jeweilige PGM fest (PHONO oder LINE).

⑪ PGM-Fader

Regelt den Pegel des PGMs.

Die PGM-Fader können Sie selbst austauschen.

⑫ Cross-Fader

Regelt das Mischverhältnis von PGM 1 und PGM 2.

Den Cross-Fader können Sie selbst austauschen. Darüber hinaus können Sie die Lautstärkekurve und Bewegungsrichtung des Cross-Faders einstellen.

⑬ Eingangspegelanzeige

Zeigt die Eingangspegel der PGMs an.

Die untersten LEDs zeigen den Betriebszustand an. Sie leuchten auf, wenn Sie das Gerät einschalten.

WICHTIG

Die Signale für die Pegelanzeige werden nach dem EQ abgegriffen. Änderungen am EQ sind also auf der Pegelanzeige sichtbar.

⑭ CROSSFADER-REVERSE-LED

Eine leuchtende LED zeigt an, dass die Bewegungsrichtung des Cross-Faders umgekehrt wurde.

⑮ MASTER 1 LEVEL

Beeinflusst den Pegel am MASTER OUT 1-Ausgang (symmetrische XLR-Anschlüsse).

⑯ MASTER 2 LEVEL

Beeinflusst den Pegel am MASTER OUT 2-Ausgang (unsymmetrische Cinch-Anschlüsse).

2.2. Einen Fader austauschen

1. Entfernen Sie die Knöpfe der Fader.
2. Lösen Sie die vier Schrauben der Abdeckplatte des Faderbereichs.
3. Entfernen Sie die Abdeckplatte des Faderbereichs.
4. Lösen Sie die Schrauben des Faders, den Sie austauschen möchten.
5. Lösen Sie den Kabelsteckverbinder des Faders.
6. Setzen Sie den neuen Fader ein.
7. Schließen Sie den Kabelsteckverbinder an.
8. Befestigen Sie den Fader mithilfe der Schrauben.
9. Befestigen Sie die Abdeckplatte mithilfe der Schrauben.
10. Stecken Sie die Faderknöpfe wieder auf.

2.3. Geräterückseite

⑰ MIC INPUT (symmetrische XLR-/Klinkenbuchse)

Schließen Sie an diese Buchse Ihr Mikrofon an.

Die Belegung ist wie folgt:

	Klinke
HEISS (+):	Spitze
KALT (-):	Ring
MASSE:	Hülse

WICHTIG

Wenn Sie an dieser Buchse ein unsymmetrisches Mikrofon anschließen, empfehlen wir, KALT (Pin 3 oder Ring) mit MASSE (Pin 1 oder Hülse) kurzzuschließen.

⑱ ADJ

Dient zum Anpassen des Mikrofon-Eingangssignals.

WICHTIG

Änderungen am Mikrofoneingangspegel sollten Sie sehr vorsichtig mithilfe des Kopfhörers vornehmen und dabei darauf achten, dass das Eingangssignal nicht übersteuert wird.

⑲ PHONO INPUTS (unsymmetrische Cinch-Anschlüsse)

Anschluss für einen Plattenspieler mit MM-Tonabnehmer (Moving Magnet).

⑳ GND-Erdungsklemme

Wenn Ihre Plattenspieler über Erdungskabel verfügen, schließen Sie diese zur Vermeidung von Stör- und Brummgeräuschen an diese Erdungsklemme an.

㉑ LINE INPUTS (unsymmetrische Cinch-Anschlüsse)

Schließen Sie hier Geräte mit Linepegel, wie CD-Player, Kassettendecks, DAT- und MD-Player an.

㉒ EXT INPUT (unsymmetrische Cinch-Anschlüsse)

Dient zum Anschluss externer Geräte mit Linepegel.

Die an diesen Buchsen anliegenden Signale werden mit dem Summensignal (vor den MASTER-Reglern 1 und 2) gemischt.

㉓ REC OUTPUT (unsymmetrische Cinch-Anschlüsse)

Über diese Buchsen wird die Stereosumme vor den MASTER-Pegelreglern 1 und 2 ausgegeben.

Wenn Sie an diese Buchsen einen Recorder anschließen, können Sie Ihre Mischung unbeeinflusst von der MASTER LEVEL-Einstellung aufzeichnen.

㉔ MASTER OUTPUT 1

(symmetrische XLR-Anschlüsse)

An diesen Buchsen wird die mit MASTER 1 geregelte Stereosumme ausgegeben.

Die Belegung ist wie folgt:

HEISS (+):	Pin 2
KALT (-):	Pin 3
MASSE:	Pin 1

㉕ MASTER OUTPUT 2 (unsymmetrische Cinch-Anschlüsse)

An diesen Buchsen wird die mit MASTER 2 eingestellte Stereosumme ausgegeben.

㉖ POWER (Netzschalter)

㉗ Anschlussbuchse für das Netzkabel

2.4. Frontplatte

㉘ PHONES

An dieser Buchse schließen Sie Ihren Kopfhörer an.

3. Voreinstellungen ändern

3.1. Ausgangspegel

Das XS-4 verfügt über zwei MASTER-Ausgänge.

MASTER OUTPUT 1 (27): Symmetrische XLR-Buchsen

MASTER OUTPUT 2 (28): Unsymmetrische Cinch-Buchsen

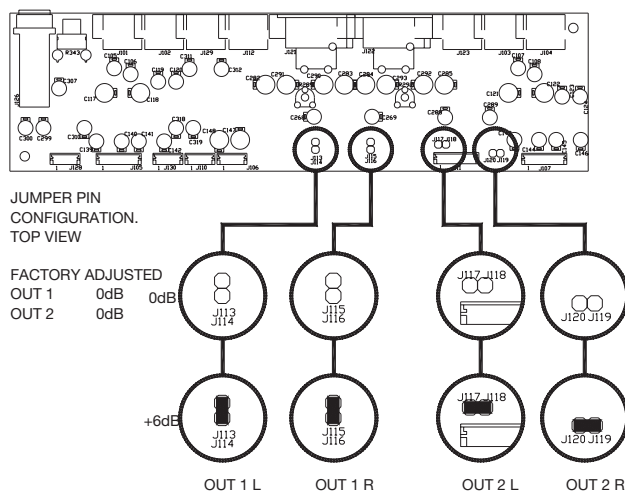
Der Ausgangspegel ist auf 0 dBV voreingestellt. Mithilfe von Jumpfern können die Ausgangspegel auf +6 dBV erhöht werden (siehe Abbildung unten).

VORSICHT

Die Einstellung der Jumper darf nur von einem qualifizierten Fachmann geändert werden.

WICHTIG

Wenn Sie den nominalen Ausgangspegel des Mischpults erhöhen, stellen Sie sicher dass der angeschlossene Verstärker nicht übersteuert wird. Die Übersteuerungsanzeige darf niemals konstant leuchten. Sie sollte dem Rhythmus der Basssignale folgend gelegentlich aufflackern.



4. Technische Daten

LINE IN (PGM 1 + 2)	Cinch, unsymmetrisch
Eingangspegel	-10 dBV
Eingangsimpedanz	50 kOhm
PHONO IN (PGM 1 + 2)	Cinch, unsymmetrisch
Eingangspegel	-45 dBV
Eingangsimpedanz	50 kOhm
MIC INPUT	Klinke, symmetrisch
Eingangspegel	-50 dBV ~ -30dBV
Eingangsimpedanz	1,5 kOhm
EXT INPUT	Cinch, unsymmetrisch
Eingangspegel	0 dBV
Eingangsimpedanz	20 kOhm
MASTER OUT 1	XLR, symmetrisch
Nominaler Ausgangspegel	0 dBV
Ausgangsimpedanz	600 Ohm
MASTER OUT 2	Cinch, unsymmetrisch
Nominaler Ausgangspegel	0 dBV
Ausgangsimpedanz	1 kOhm
REC OUT	Cinch, unsymmetrisch
Nominaler Ausgangspegel	0 dBV
Ausgangsimpedanz	10 kOhm
PHONES	230 mW bei 400 Ohm
Frequenzbereich	
LINE IN	10 Hz bis 30 kHz, -1,0 dB
PHONO IN	RIAA, ± 0,5 dB
MIC IN	10 Hz bis 30 kHz, -1,0 dB
Fremdspannungsabstand	
LINE IN	95 dB (IHF-A-bewertet)
PHONO IN	90 dB (IHF-A-bewertet)
MIC IN	75 dB (IHF-A-bewertet)
Verzerrung (THD)	
LINE IN	<0,08%
PHONO IN	<0,09%
MIC IN	<0,15%
Klangregelung (EQ)	
Höhen (HIGH)	6,5 kHz, +10 dB bis -30 dB
Bässe (LOW)	200 Hz, +10 dB bis -30 dB
Netzspannung	100–240 V AC, 50–60 Hz
Leistungsaufnahme	22 VA
Abmessungen (B x H x T)	265 mm x 80 mm x 325 mm
Gewicht	3,6 kg

Änderungen an Konstruktion und technischen Daten vorbehalten.

Questo apparecchio rientra nei limiti dei prodotti di Classe A.

Se utilizzato in ambiente domestico, è possibile che provochi interferenze radio: in tal caso potrebbe essere richiesto all'utente di adottare adeguate contromisure.

ATTENZIONE:

- Leggere attentamente tutte queste istruzioni
- Conservarle in luogo sicuro, per un eventuale futuro utilizzo
- Attenersi a tutte le avvertenze e le istruzioni contrassegnate sull'apparecchiatura audio.

- 1) **Leggere le istruzioni** - Prima di mettere in funzione l'apparecchio, leggere tutte le istruzioni di sicurezza ed azionamento.
- 2) **Conservare le istruzioni** - Conservare in luogo sicuro le istruzioni di sicurezza ed azionamento, per agevolare future consultazioni.
- 3) **Avvertenze precauzionali** - Attenersi a tutte le avvertenze, sia contrassegnate sull'apparecchio che contenute nel manuale d'istruzioni.
- 4) **Seguire le istruzioni** - Seguire tutte le istruzioni di azionamento ed utilizzo.
- 5) **Pulizia** - Prima di pulire l'apparecchio togliere sempre l'alimentazione, staccando la spina. Non utilizzare prodotti specifici liquidi o aerosol: basta un semplice panno inumidito
- 6) **Accessori** - Per non correre inutili rischi, non utilizzare accessori diversi da quelli consigliati dal fabbricante dell'apparecchio.
- 7) **Acqua ed umidità** - Non utilizzare l'apparecchio in vicinanza dell'acqua: per esempio, vicino a vasche da bagno, lavabi, lavelli da cucina, lavabiancheria, in scantinati umidi, ai bordi di una piscina, ecc.
- 8) **Installazione** - Non installare quest'apparecchio su un qualsiasi appoggio instabile: potrebbe cadere, riportando gravi danni o coinvolgendo anche eventuali persone vicine. Utilizzare soltanto un elemento (carrello, piano d'appoggio, treppiede, staffa, tavolo) consigliato dal fabbricante o venduto insieme all'apparecchio stesso. Per qualsiasi tipo di installazione, seguire le istruzioni del fabbricante ed usare accessori consigliati dallo stesso.
- 9) **Spostamenti** - Quando l'apparecchio è appoggiato su un carrello, spostare il tutto con precauzione: brusche fermate, spinte eccessive e superfici accidentate possono infatti provocare il ribaltamento.

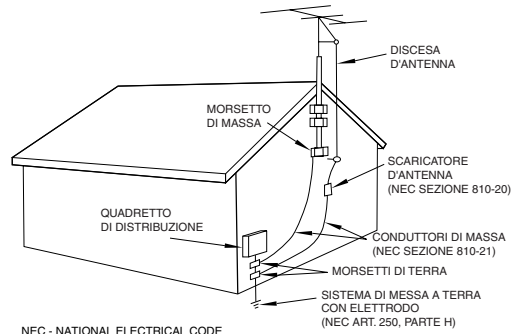


- 10) **Ventilazione** - Per garantire un funzionamento affidabile e per proteggere contro il riscaldamento eccessivo, sul mobile sono praticate apposite fessure ed aperture di ventilazione che non devono assolutamente essere otturate o coperte appoggiando l'apparecchio, per esempio, su un letto, un divano, un tappeto o superfici analoghe. Non inserire l'apparecchio nel vano di un mobile, come una libreria o un armadietto, a meno che sia stato previsto un adatto sistema di ventilazione.
- 11) **Alimentazione** - Collegare l'apparecchio soltanto ad un alimentatore del tipo contrassegnato sull'etichetta. In caso di dubbi sul tipo di alimentazione domestica, chiedere consiglio al rivenditore oppure alla locale società elettrica. Nel caso di apparecchi previsti per alimentazione a batteria, o da altre sorgenti, consultare il manuale d'istruzioni.
- 12) **Messa a terra o polarizzazione** - Quest'apparecchio potrebbe essere munito di una spina di linea polarizzata a corrente alternata (che ha una lama più larga dell'altra). Tale spina entra nella presa di rete soltanto in una direzione: si tratta di una misura di sicurezza. Se risultasse impossibile inserire la spina a fondo, provare a voltarla nell'altra direzione. Se anche così la spina si rifiuta di entrare, chiamare un elettricista e far sostituire la presa, evidentemente di tipo sorpassato: meglio una piccola spesa, che rinunciare alla sicurezza offerta dalla spina polarizzata.
- 13) **Protezione del cavo di rete** - Stendere i cavi di alimentazione dove abbiano scarse probabilità di essere calpestati o pinzati da oggetti posti sopra o vicino ad essi; attenzione soprattutto alle sezioni di cavo vicino ai connettori (prese o spine), agli appositi contenitori, nonché al punto in cui il cavo esce dall'apparecchio.
- 14) **Collegamento a terra dell'antenna esterna** - Se all'apparecchio sono collegati un'antenna esterna o un sistema via cavo, accertarsi che siano messi a terra, in modo da garantire una certa protezione contro le sovratensioni e le cariche statiche sviluppate nel sistema stesso. Il paragrafo 810 del NEC (National Electric Code), ANSI/NFPA No. 70, fornisce le informazioni necessarie per la corretta messa a terra del palo e delle strutture portanti, la messa a terra della discesa d'antenna tramite apposito scaricatore, le dimensioni dei conduttori di terra, la posizione dello scaricatore a terra e i requisiti per l'elettrodo di terra.

Nota per gli installatori di sistemi CATV

Richiamiamo l'attenzione degli installatori di sistemi CATV sulla sezione 820-40 del NEC che contiene le norme sull'appropriata messa a terra: in particolare, specifica che la massa del cavo dovrà essere collegata al sistema di terra dell'edificio, praticamente vicino al punto d'ingresso del cavo.

Esempio di messa a terra dell'antenna secondo la norma ANSI/NFPA del NEC



- 15) **Fulmini** - Per proteggere l'apparecchio nel corso di un temporale, oppure quando rimane senza sorveglianza e non viene utilizzato per un periodo prolungato, staccarlo dalla presa di rete e scollegare l'antenna o il sistema via cavo. Questa precauzione eviterà che l'apparecchio venga danneggiato da un fulmine o da un picco transitorio di tensione.
- 16) **Linee elettriche** - Un'eventuale antenna esterna non deve mai trovarsi in prossimità delle linee dell'alta tensione o di altri circuiti elettrici o di alimentazione. Installare l'antenna con la massima attenzione perché un accidentale contatto con queste linee potrebbe risultare fatale.
- 17) **Sovraccarico** - Non sovraccaricare le prese di rete, le prolunghie, o gli appositi contenitori dei cavi per non causare rischio di incendio o folgorazione.
- 18) **Infiltrazione di oggetti o liquidi** - Non spingere mai oggetti di nessun genere all'interno dell'apparecchio: potrebbero andare a toccare punti con tensioni pericolose o mandare in cortocircuito qualche componente, con rischio di incendio o folgorazione. Attenzione anche a non rovesciare liquidi sull'apparecchio.
- 19) **Danni** - Non tentare mai di riparare l'apparecchio da soli: smontando il coperchio o il pannello posteriore si può rimanere esposti a tensioni pericolose o correre altri rischi. Qualsiasi intervento di assistenza dovrà essere effettuato da personale tecnico qualificato.
- 20) **Danni che richiedono assistenza** - Staccare la spina di alimentazione e chiedere l'intervento di personale tecnico qualificato quando:
 - a) Il cavo o la spina di alimentazione risultano danneggiati.
 - b) Sono caduti oggetti o sono colati liquidi all'interno dell'apparecchio.
 - c) L'apparecchio è rimasto esposto alla pioggia o si è comunque bagnato
 - d) L'apparecchio non si comporta correttamente seguendo le normali istruzioni. Effettuare soltanto le regolazioni contemplate nel manuale d'istruzioni; modificare altri comandi potrebbe comportare un ulteriore danno e richiedere poi un lavoro supplementare da parte del tecnico per ripristinare le condizioni originali.
 - e) L'apparecchio è caduto oppure l'involucro ha subito danni.
 - f) Si nota un notevole calo nelle prestazioni.
- 21) **Parti di ricambio** - Quando è necessario sostituire qualche componente, verificare che il tecnico utilizzi solo i ricambi specificati dal fabbricante o che abbiano le stesse caratteristiche. Ricambi non autorizzati potrebbero causare incendio, folgorazione o dimostrarsi pericolosi.
- 22) **Collaudo di sicurezza** - Dopo ogni intervento di assistenza/riparazione, richiedere al tecnico un collaudo di sicurezza per accertarsi che l'apparecchio sia tornato nelle normali condizioni operative.
- 23) **Montaggio su parete o al soffitto** - L'apparecchio può essere installato su una parete o fissato al soffitto solo nel modo consigliato dal fabbricante.
- 24) **Calore** - L'apparecchio non deve essere collocato vicino a sorgenti di calore, come stufe, radiatori, aerotermini o altre apparecchiature che producono calore, compresi gli amplificatori.

Indice

1. Introduzione	24
1.1 Osservazioni ed avvertenze	24
1.2 Numero di serie, ed altro	24
2. Funzioni e controlli	25
2.1 Pannello superiore	26
2.2 Sostituzione dei fader	26
2.3 Pannello posteriore	27
2.4 Pannello anteriore	27
3. Modifiche.....	28
3.1 Livello d'uscita.....	28
4. Caratteristiche tecniche.....	28
5. Schema a blocchi	36

1. Introduzione

Il TASCAM XS-4 è un sofisticato mixer a 2 canali per DJ che permette di collegare molti dispositivi, lasciando così spazio alla libera creatività dell'operatore. Grazie alla sua accurata progettazione, l'XS-4 non presenta nessuna difficoltà di azionamento, pur offrendo un'ampia gamma di funzioni.

ATTENZIONE: per ottenere le massime prestazioni, prima di mettere in funzione l'apparecchio consigliamo vivamente di leggere questo Manuale d'Istruzioni.

Per conservare nel tempo le condizioni ottimali di funzionamento dell'XS-4 raccomandiamo inoltre di rivolgersi ai nostri Servizi tecnici autorizzati per qualsiasi intervento di assistenza o manutenzione.

1.1 Osservazioni ed avvertenze

L'XS-4 va maneggiato ed utilizzato con tutta l'attenzione dovuta ad un apparecchio di alta precisione.

Evitare di esporlo a condizioni estreme di temperatura ed umidità, e di sottoporlo ad urti meccanici e vibrazioni. Tenerlo inoltre lontano da apparecchiature in grado di generare forti campi magnetici (come televisori, monitor di computer, grandi motori elettrici, e così via).

Considerazioni ambientali

L'XS-4 può funzionare praticamente in qualsiasi ambiente. Per conservare l'alto livello delle sue prestazioni e prolungare nel tempo il suo utilizzo, consigliamo comunque di rispettare le seguenti condizioni ambientali:

Temperatura ambiente: compresa tra 5°C e 35°C.

Umidità relativa: compresa tra 30 e 90 gradi, senza manifestazioni di condensa

Dato che l'apparecchio può scaldarsi durante il funzionamento, raccomandiamo di prevedere lo spazio sufficiente per l'adeguata ventilazione.

Evitare quindi di collocarlo in uno spazio ristretto, come potrebbe essere il ripiano di una libreria.

Per evitare eventuali problemi di surriscaldamento, non appoggiare l'XS-4 sopra nessun dispositivo che possa generare calore, come per esempio un amplificatore.

L'XS-4 può funzionare a 100-240 V, 50-60 Hz. Per evitare l'eventuale comparsa di ronzio, accertarsi che ci sia la dovuta distanza tra il cavo d'alimentazione e quelli dei segnali audio

NOTA

Per trasportare l'XS-4 bisogna sempre rimetterlo nell'imballo originale. Nell'eventualità di dover trasportare l'apparecchio in un secondo tempo, raccomandiamo pertanto vivamente di conservare la scatola e tutto il materiale d'imballaggio.

A titolo di protezione contro eventuali sovraccarichi elettrici, sull'apparecchio è montato un fusibile da 250 mA. Se tale fusibile dovesse bruciare, togliere l'alimentazione e sostituirlo con un elemento dello stesso tipo. Se anche quest'ultimo dovesse bruciare, chiedere subito l'intervento del nostro servizio Assistenza.

AVVERTENZA

NON CORTOCIRCUITARE MAI I CONTATTI DI UN FUSIBILE INTERROTTO NÉ UTILIZZARE UN FUSIBILE DI VALORE PIÙ ALTO.

Sarebbe comunque consigliabile che anche la sostituzione del fusibile fosse effettuata da un tecnico qualificato.

Collegamento di altri apparecchi

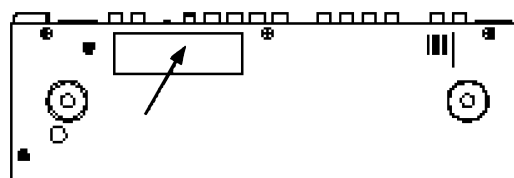
Quando si effettuano o interrompono collegamenti all'XS-4 è indispensabile staccare prima l'alimentazione da tutti gli apparecchi interessati.

Al termine del collegamento, consigliamo di ridare tensione prima alla sorgente (giradischi, lettore di CD, eccetera), poi all'XS-4 ed infine al sistema d'amplificazione.

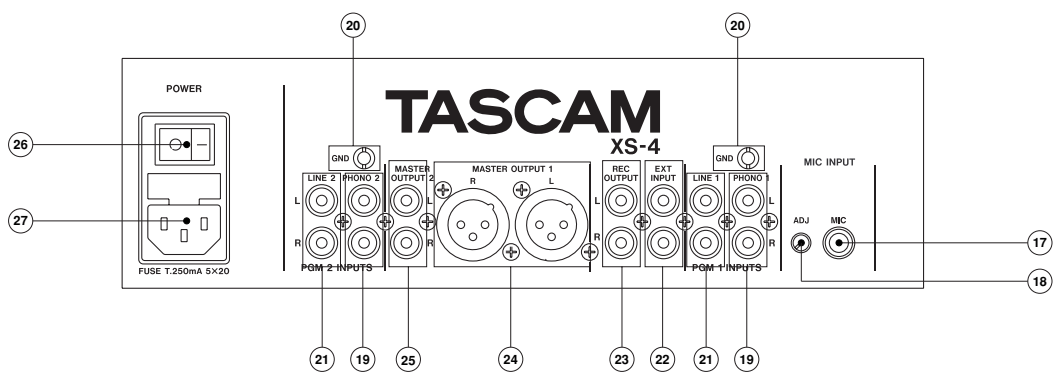
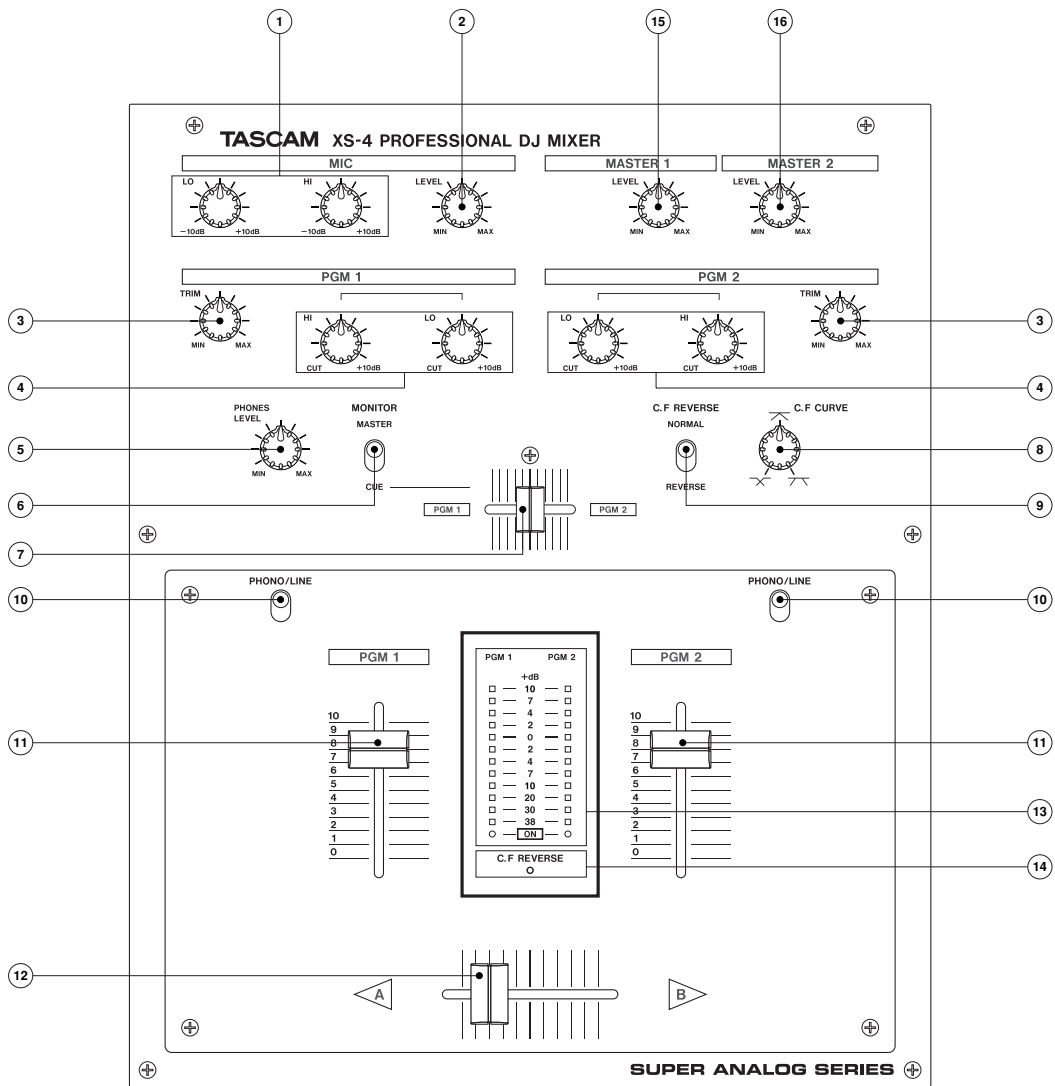
Per spegnere il sistema procedere invece in senso inverso: prima gli amplificatori e poi le altre apparecchiature.

1.2 Numero di serie, ed altro

Il numero di serie dell'XS-4 è stampato su un'etichetta, situata sul pannello inferiore dell'apparecchio.



2. Funzioni e controlli



2.1 Pannello superiore

① MIC EQ

EQ a 2 bande per il segnale d'ingresso MIC.

② MIC LEVEL

Regola il livello del segnale d'ingresso MIC.

③ TRIM

Regola il livello del segnale d'ingresso di ciascun PGM.

NOTA

La regolazione della sensibilità di ogni ingresso deve essere effettuata con molta attenzione facendo riferimento al meter e/o alla cuffia e senza far accendere tutti i LED rossi dello strumento, per evitare la saturazione del segnale.

④ PGM EQ

EQ a 2 bande per ciascun segnale PGM.

⑤ PHONES LEVEL

Regola il livello d'uscita della cuffia.

⑥ MONITOR MASTER CUE

Seleziona la modalità dell'ascolto monitor in cuffia.

CUE: per ascoltare i segnali PGM regolati dal fader Cue Balance

MASTER: per ascoltare il segnale MASTER

⑦ CUE BALANCE

Regola il bilanciamento in cuffia tra i segnali PGM 1 e PGM 2.

⑧ CROSS FADER CURVE

Permette di regolare la curva di risposta del CROSS FADER da "lenta" (rotazione in senso antiorario) a "rapida" (rotazione in senso orario).

⑨ CROSS FADER REVERSE

Determina il modo di funzionamento del CROSS FADER.

NORMAL: spostando il fader verso A, diventa più forte il segnale A e più debole il segnale B.

REVERSE: spostando il fader verso A, diventa più forte il segnale B e più debole il segnale A

⑩ PHONO/LINE

Seleziona come ingresso per ciascun PGM il segnale PHONO oppure LINE.

⑪ PGM FADER

Regola il livello PGM.

L'utente ha la possibilità di sostituire questo fader.

⑫ CROSS FADER

Miscela i segnali PGM 1 e PGM 2.

L'utente ha la possibilità di sostituire questo fader e di regolarne la curva e la funzione Reverse.

⑬ INPUT LEVEL METER

Indica il livello del segnale di ciascun PGM.

I LED più in basso sono gli indicatori di apparecchio acceso.

NOTA

LEVEL METER indica i segnali post EQ.

⑭ Indicatori CROSS FADER REVERSE

Quando CROSS FADER è in modalità Reverse, si accende il LED.

⑮ MASTER 1 LEVEL

Regola il livello dell'uscita MASTER OUT 1 (connettori XLR bilanciati).

⑯ MASTER 2 LEVEL

Regola il livello dell'uscita MASTER OUT 2 (jack RCA sbilanciati).

2.2 Sostituzione dei fader

1. Togliere le manopole del fader.
2. Togliere le quattro viti del pannello.
3. Togliere il pannello.
4. Togliere le viti che fissano il fader da sostituire.
5. Staccare il connettore del fader.
6. Sostituire il fader vecchio con quello nuovo.
7. Inserire il connettore.
8. Posizionare il fader e fissarlo con le viti.
9. Rimontare il pannello, fissandolo con le viti.
10. Rimontare le manopole.

2.3 Pannello posteriore

⑰ MIC INPUT (connettore XLR/TRS bilanciato)

Inserire il microfono in questo connettore.

I collegamenti sono:

	TRS
CALDO:	Punta
FREDDO:	Anello
MASSA:	Calza

NOTA

Se è collegato un microfono sbilanciato, raccomandiamo di cortocircuitare il terminale FREDDO (Pin 3 o Anello) alla MASSA (Pin 1 o Calza).

⑱ ADJ

Regola il guadagno del segnale d'ingresso MIC.

NOTA

La regolazione della sensibilità di ogni ingresso deve essere effettuata con molta attenzione facendo riferimento al meter e/o alla cuffia e senza far accendere tutti i LED rossi dello strumento, per evitare la saturazione del segnale.

⑲ PHONO INPUTS (jack RCA sbilanciati)

Collegare qui giradischi muniti di cartuccia MM.

⑳ Terminale GND

Inserire in questo terminale gli eventuali cavi di terra dei giradischi, in modo da ridurre l'immissione di disturbi audio e ronzii.

㉑ LINE INPUTS (jack RCA sbilanciati)

Collegare qui apparecchiature a livello di linea, come lettori di CD, registratori a cassetta, DAT, MD, ecc.

㉒ EXT INPUT (jack RCA sbilanciati)

Collegare qui un apparecchio esterno a livello di linea. I segnali provenienti da questi ingressi vengono miscelati nel bus master (controllo pre MASTER 1/2).

㉓ REC OUTPUT (jack RCA sbilanciati)

Da questi connettori esce il segnale pre MASTER 1/2. Per collegare qui il registratore, ad esempio, si può registrare la propria prestazione dal vivo prima del controllo MASTER LEVEL.

㉔ MASTER OUTPUT 1 (connettore XLR bilanciato)

Da questo connettore esce il segnale d'uscita master regolato dal controllo MASTER 1.

Ecco i collegamenti:

CALDO	Pin 2
FREDDO	Pin 3
MASSA	Pin 1

㉕ MASTER OUTPUT 2 (jack RCA sbilanciato)

Da questo connettore esce il segnale d'uscita master regolato dal controllo MASTER 2.

㉖ Interruttore POWER

㉗ Jack AC POWER

2.3 Pannello anteriore

㉘ PHONES

Collegare qui una normale cuffia.

3. Modifiche

3.1 Livello d'uscita

L'XS-4 dispone di due uscite MASTER.

MASTER OUTPUT 1 (27) : connettori XLR bilanciati

MASTER OUTPUT 2 (28) : jack RCA sbilanciati

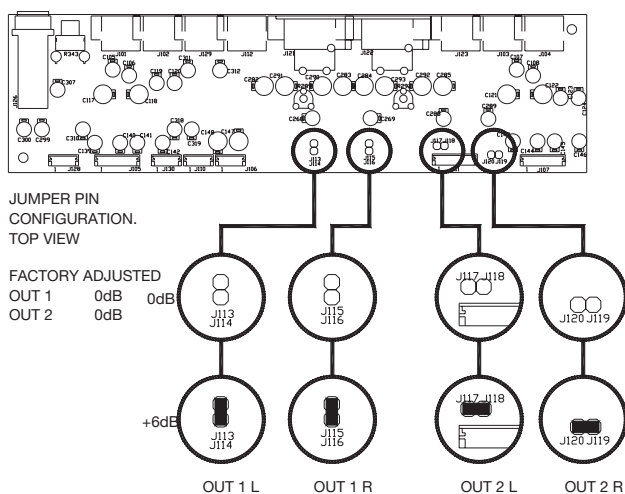
Questi livelli d'uscita sono predisposti a 0 dBV ma tale valore può essere modificato in +6 dBV tramite ponticelli. (vedi schema).

AVVERTENZA

La modifica del livello d'uscita deve essere effettuata da un tecnico qualificato.

NOTA

Il livello d'uscita nominale del mixer deve essere predisposto con molta attenzione, in modo da non saturare gli amplificatori ad esso collegati.



4. Caratteristiche tecniche

LINE IN (PGM1-4)	RCA, sbilanciati
Livello ingresso	-10 dBV
Impedenza ingresso	50 kohm
PHONO IN (PGM1-4)	RCA, sbilanciati
Livello ingresso	-45 dBV
Impedenza ingresso	50 kohm
MIC INPUT	TRS, bilanciati
Livello ingresso	-50 dBV ~ -30dBV
Impedenza ingresso	1,5 kohm
EXT INPUT	RCA, sbilanciati
Livello ingresso	0 dBV
Impedenza ingresso	20 kohm
MASTER OUT 1	XLR, bilanciati
Livello uscita nominale	0 dBV
Impedenza uscita	600 ohm
MASTER OUT 2	RCA, sbilanciati
Livello uscita nominale	0 dBV
Impedenza uscita	1 kohm
REC OUT	RCA, sbilanciati
Livello uscita nominale	0 dBV
Impedenza uscita	10 kohm
PHONES	230 mW, (a 400 ohm)
Risposta in frequenza	
LINE IN	10 Hz æ 30 kHz, -1,0 dB
PHONO IN	RIAA, ± 0,5 dB
MIC IN	10 Hz æ 30 kHz, -1,0 dB
Rapporto segnale/rumore	
LINE IN	95 dB (IHF A WTD)
PHONO IN	90 dB (IHF A WTD)
MIC IN	75 dB (IHF A WTD)
Distorsione armonica totale	
LINE IN	< 0,08 %
PHONO IN	< 0,09 %
MIC IN	< 0,15 %
EQ	
HIGH	6,5 kHz, +10 dB / - 30 dB
LOW	200 Hz, +10 dB / - 30 dB
Alimentazione	100V – 240V (50Hz – 60Hz)
Assorbimento	22 VA
Dimensioni (L x A x P)	265 x 80 x 325 mm
Peso	3,6 kg

Tutte le caratteristiche tecniche sono soggette a cambiamenti, senza preavviso

IMPORTANTE (usuarios Reino Unido)**NUNCA corte el enchufe de conexión a red de este aparato.**

Si el enchufe de este aparato no se adapta a las salidas de corriente de su casa o si el cable es demasiado corto, consiga una alargadera que cumpla las medidas de seguridad o consulte a su distribuidor.

Si a pesar de lo anterior corta el enchufe, saque el fusible y suelte el enchufe de inmediato, para evitar una posible descarga por una conexión accidental a la corriente.

Si el aparato no viene con un enchufe de red, o si ha de colocar otro, siga estas instrucciones:

IMPORTANTE: NO HAGA ninguna conexión en el gran terminal marcado con la letra E o con el símbolo $\frac{\perp}{\perp}$ o el color VERDE o VERDE-y-AMARILLO.

Los filamentos del cable de alimentación de este aparato vienen codificados con los colores siguientes:

AZUL	: NEUTRAL
MARRON	: ACTIVO

Dado que estos colores puede que no se correspondan con el código de colores identificativos de su enchufe o salida de corriente, haga lo siguiente:

El filamento de color AZUL debe ser conectado a la terminal que esté marcada con la letra N o de color NEGRO.

El cable de color MARRON debe ser conectado con la terminal marcada con la letra L o de color ROJO.

Cuando esté sustituyendo el fusible, utilice solo uno del tipo y valor correcto y asegúrese de volver a colocar la tapa.

SI TIENE CUALQUIER TIPO DE DUDA —
CONSULTE A UN ELECTRICISTA PROFESIONAL.

Para Estados Unidos

PARA EL USUARIO

Se ha verificado y comprobado que esta unidad cumple con los límites de un aparato digital de clase A, de acuerdo a la sección 15 de las normativas FCC. Estos límites han sido desarrollados para ofrecer una protección razonable contra las interferencias molestas que se pueden producir cuando se usa este aparato en un entorno no-profesional. Este aparato genera, utiliza y puede irradiar energía de radiofrecuencia y, si no es instalado y usado de acuerdo al manual de instrucciones, puede producir interferencias molestas en las comunicaciones de radio.

El uso de este aparato en una zona residencial puede producir interferencias molestas, en cuyo caso el usuario será el responsable de tomar las medidas necesarias para corregir estas interferencias.

PRECAUCION

Los cambios o modificaciones realizadas en este equipo y que no hayan sido aprobadas expresamente por escrito por TEAC CORPORATION pueden anular la autorización del usuario para manejar este aparato.

PRECAUCION:

- **Lea totalmente estas instrucciones.**
- **Conserve estas instrucciones para consultas futuras.**
- **Siga todas las advertencias e instrucciones indicadas en su aparato audio.**

- 1) **Lea las instrucciones** — Debe leer todas las instrucciones de manejo y de seguridad antes de empezar a usar el aparato.
- 2) **Conserve las instrucciones** — Conserve estas instrucciones de uso y seguridad para cualquier consulta en el futuro.
- 3) **Observe las precauciones** — Tenga en cuenta siempre todas las advertencias y precauciones que vengan indicadas en estas instrucciones.
- 4) **Siga las instrucciones** — Haga todo lo que viene indicado en estas instrucciones para un correcto manejo de la unidad.
- 5) **Limpieza** — Desconecte este aparato de la toma de corriente antes de limpiarlo. No utilice limpiadores líquidos o en aerosol. Para la limpieza use un trapo húmedo.
- 6) **Otros aparatos** — Nunca añada otros aparatos o cables no recomendados por el fabricante de este aparato ya que pueden dar lugar a riesgos innecesarios.
- 7) **Agua y humedad** — No utilice este aparato cerca del agua — por ejemplo cerca de una piscina, baño, lavandería o en un sótano húmedo o sitios semejantes.
- 8) **Accesorios** — Nunca coloque este aparato en un stand, trípode, soporte o superficie inestable. El aparato puede que se caiga, produciendo alguna herida grave a una persona, y haciendo que quede seriamente dañada la propia unidad. Utilice solo los soportes recomendados por el fabricante, o que se vendan con el propio aparato. Cualquier tipo de montaje de este aparato debe seguir las instrucciones dadas por el fabricante, y solo debe usar los accesorios de montaje recomendados por este.
- 9) **Desplace siempre con cuidado cualquier combinación de aparato y soporte.** Las paradas bruscas, fuerza excesiva y un suelo rugoso pueden hacer que este bloque se vuelque.



10) **Ventilación** — Las ranuras y aberturas de la carcasa han sido diseñadas para la correcta ventilación y para asegurar un funcionamiento fiable del producto y protegerlo así de los sobrecalentamientos; así pues, nunca cubra ni bloquee estas aberturas al colocar este aparato sobre un sofá, cama, alfombra o superficies similares. Este aparato nunca debe ser montado en una instalación fija como una librería o un rack salvo que disponga de la ventilación adecuada o que haya instrucciones concretas del fabricante indicando que lo puede hacer.

11) **Fuentes de alimentación** — Este aparato solo debe ser conectado a una fuente de alimentación del tipo indicado en su panel. Si no está seguro del tipo de fuente de alimentación de su casa, consulte a su distribuidor o empresa de electricidad local. Para los aparatos diseñados para funcionar con pila, o con otros tipos de fuentes, vea las instrucciones correspondientes.

12) **Toma de tierra o polarización** — Este aparato puede que esté equipado con un cable de corriente polarizado (un enchufe en el que hay un borne más ancho que los otros). Este enchufe solo puede ser conectado de una única forma a su salida de corriente. Esto es una medida de seguridad. Si no puede insertar completamente el enchufe en su salida, pruebe a darle la vuelta. Si aun así no lo puede conectar, contacte con un técnico electricista para que cambie su salida de corriente. Nunca elimine esta medida de seguridad del conector polarizado cambiándolo por otro.

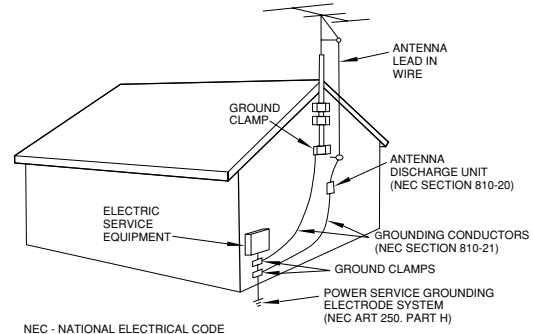
13) **Protección del cable de corriente** — Los cables de conexión a la red deben ser colocados de tal forma que resulte difícil que queden aplastados por algo, poniendo una especial atención en la zona de los conectores, los receptáculos de los mismos y en el punto en el que el cable sale de la unidad.

14) **Conexión a tierra de antena exterior** — Si conecta a esta unidad un sistema de cable o antena exteriores, asegúrese de que la antena o el sistema de cable esté conectado a tierra de tal forma que pueda ofrecer una cierta protección contra los picos de voltaje y corrientes estáticas internas. El artículo 810 del Código Nacional Eléctrico, ANSI/NFPA 70, le ofrece información referente a la correcta conexión a tierra de la antena y de la estructura de soporte, conexión a masa del cable a una unidad de descarga de antena, tamaño de los conductores de toma a tierra, colocación de la unidad de descarga de antena, conexión de los electrodos de toma a tierra y requisitos referentes al electrodo de toma a tierra.

“Nota para instaladores de sistemas de antena CATV:

Esta nota quiere hacer hincapié en que los instaladores de sistemas CATV cumplan con lo especificado en la sección 820-40 de la NEC que da unas líneas base para la correcta conexión a tierra y, en concreto, especifica que el cable a tierra debe ser conectado al sistema de toma de tierra del edificio, tan cerca del punto de la entrada del cable como se pueda.

Example of Antenna Grounding as per National Electrical Code, ANSI/NFPA 70



15) **Rayos** — Para una mayor protección de este aparato durante las tormentas eléctricas, o cuando no lo vaya a usar durante periodos largos de tiempo, desconecte la unidad de la salida de corriente y el sistema de antena o de cable. Esto evitará que se produzcan daños en la unidad debidos a rayos y picos de corriente.

16) **Líneas de alimentación** — Nunca debe colocar un sistema de antena en las inmediaciones de línea de alta tensión u otros sistemas de iluminación o potencia, o en lugares en los que pueda caer sobre una de estas líneas. Cuando instale un sistema de antena exterior, tenga un cuidado extremo para no tocar este tipo de líneas de alta tensión o corriente dado que el tocarlas podría ser fatal..

17) **Sobrecargas** — Nunca sobrecargue las regletas de enchufes ni tomas de salida de corriente con demasiados enchufes ya que esto puede dar lugar a un incendio o a una descarga eléctrica..

18) **Introducción de objetos y líquidos** — Nunca introduzca objetos de ningún tipo dentro de este aparato a través de sus aberturas ya que podrían tocar puntos de voltaje peligrosos o producir cortocircuitos que diesen lugar a un incendio o una descarga eléctrica. Nunca deje caer ningún tipo de líquido sobre este aparato.

19) **Reparaciones** — Nunca intente reparar este aparato por sus propios medios ya que al abrir la unidad o quitar la carcasa puede quedar expuesto a un voltaje peligrosos u otros riesgos. Consulte cualquier reparación con un servicio técnico cualificado.

20) **Daños que requieran una reparación** — Desconecte este aparato de la corriente y póngase en contacto con un servicio técnico cualificado en los casos siguientes:

- a) cuando el cable de alimentación o el enchufe estén dañados..
- b) si se ha introducido cualquier líquido u objeto dentro del aparato.
- c) si el producto ha quedado expuesto a la lluvia o al agua.
- d) si la unidad no funciona normalmente de acuerdo a lo indicado en las instrucciones de manejo. Ajuste solo aquellos controles que se le indique en el manual de instrucciones ya que un ajuste inadecuado de otros controles puede dar lugar a una avería y a veces obligará a que un técnico cualificado realice una larga reparación para devolver el aparato a su funcionamiento normal.
- e) si el aparato se ha caído o ha quedado dañado de cualquier forma.
- f) cuando el aparato muestre una clara evidencia de cambio en su rendimiento o ejecución - esto indica la necesidad de una reparación.

21) **Piezas de repuesto** — Cuando sean necesarias piezas de repuesto, asegúrese de que el servicio técnico utilice las piezas especificadas por el fabricante o que tengan idénticas características que la pieza original. Una sustitución no autorizada de una pieza puede dar lugar a un incendio, descarga eléctrica u otros riesgos similares.

22) **Comprobación de seguridad** — Después de cualquier reparación o cambio en este aparato, solicite al servicio técnico que realice pruebas de seguridad para determinar que el aparato esté en perfecto estado operativo.

23) **Montaje en paredes o techos** — Este aparato puede ser montado en paredes o en el techo pero solo de la forma recomendada por el fabricante.

24) **Calor** — Sitúe este aparato siempre lejos de fuentes de calor como radiadores, calentadores, hornos u otros aparatos que produzcan calor (incluyendo amplificadores).

Indice

1. Introducción	31
1.1. Algunas notas y precauciones.....	31
1.2. Número de serie, etc.	31
2. Funciones y controles	32
2.1. Panel superior	33
2.2. Cómo sustituir el fader	33
2.3. Panel trasero	34
2.4. Panel frontal.....	34
3. Modificación	35
3.1. Nivel de salida	35
4. Especificaciones técnicas.....	35
5. Diagrama de bloques.....	36

1. Introducción

El XS-4 es una sofisticada mesa de mezclas de 2 canales para DJ que permite la conexión de diversas unidades, y con la que puede producir mezclas de una forma creativa. Con su sofisticado diseño, el XS-4 combina un funcionamiento muy sencillo con una amplia gama de funciones.

Es **MUY IMPORTANTE** que lea este manual antes de conectar esta unidad para poder sacar el máximo partido de la misma.

Para cualquier tipo de mantenimiento de esta unidad le recomendamos que se ponga en contacto con uno de nuestros servicios técnicos oficiales de cara a conseguir en todo momento un funcionamiento óptimo.

1.1. Algunas notas y precauciones

Trate el XS-4 como haría con cualquier otro aparato electrónico de alta precisión.

Evite exponerlo a grados de temperatura y humedad extremados y evite los golpes y vibraciones mecánicas.

Mantenga esta unidad lejos de los campos magnéticos potentes (grandes TV, monitores, grandes motores eléctricos, etc.).

Consideraciones medioambientales

Puede usar el XS-4 prácticamente en cualquier lugar, pero para mantener el máximo rendimiento y alargar su vida operativa, tenga en cuenta las siguientes condiciones en cuanto al entorno:

La temperatura nominal debería estar entre los 5°C y 35°C (41°F y 95°F).

La humedad relativa del ambiente debería estar entre el 30 y el 90 por ciento, sin condensación.

Dado que este aparato puede calentarse bastante durante su funcionamiento, deje siempre un espacio suficiente

encima y alrededor del aparato para su correcta ventilación.

No instale este aparato en un espacio muy limitado como puede ser encastrado en una estantería o similar.

Nunca coloque este aparato sobre una unidad que genere calor, p.e. un amplificador, para evitar posibles problemas de recalentamiento.

El XS-4 funciona de 100 a 240V, 50-60Hz. Asegúrese que el cable de corriente esté alejado de los cables de señal para evitar posibles zumbidos audio.

NOTA

Cuando transporte la unidad de un lugar a otro, use siempre el embalaje original o una maleta diseñada especialmente para ella. Por esta razón, recomendamos que conserve el embalaje y las protecciones que vienen con el XS-4, por si lo ha de transportar en el futuro.

Para protegerse contra una posible sobrecarga eléctrica, este aparato dispone de un fusible de 250mA. Si este salta, desconecte la unidad de la corriente y sustitúyalo por otro fusible idéntico. Si el nuevo fusible vuelve a saltar, contacte inmediatamente con el servicio técnico.

PRECAUCION

NUNCA SUPRIMA LA RUTA DE SEGURIDAD NI USE UN FUSIBLE DE MAS AMPERAJE.

Las sustituciones de los fusibles deben ser realizadas por un técnico cualificado.

Conexiones a otros aparatos

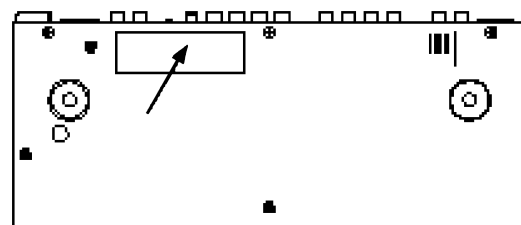
Es muy importante que apague todas las unidades cuando esté realizando o modificando las conexiones de o hacia el XS-4.

Quando encienda las unidades, suele ser una buena idea comenzar primero con las fuentes (tocadiscos, reproductores de CD, etc.), después encender el XS-4 y terminar encendiendo el sistema de amplificación.

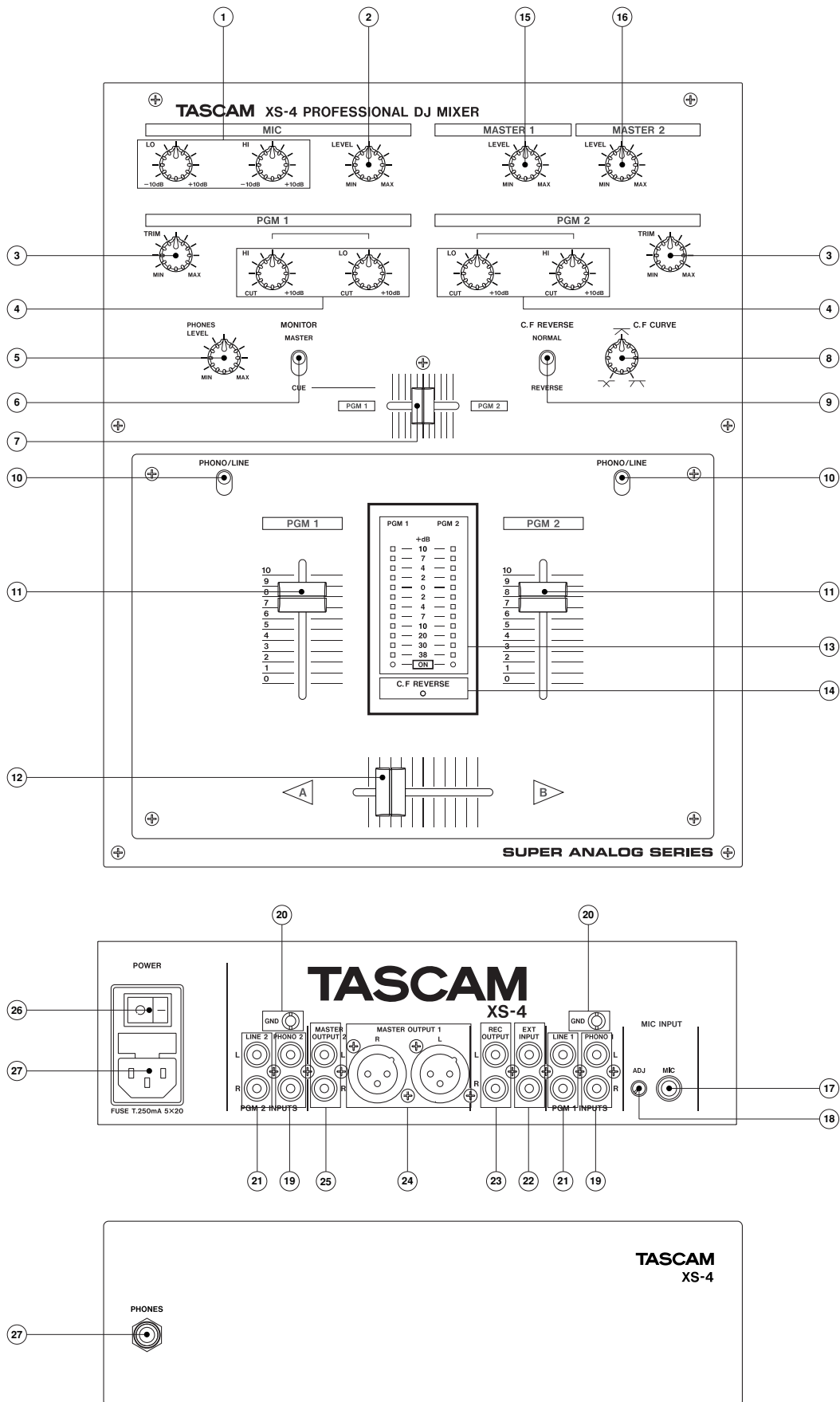
Para apagar las unidades haga lo mismo pero al revés (los amplificadores lo primero y después el resto del equipo).

1.2. Número de serie, etc.

El número de serie del XS-4 está situado en una etiqueta colocada en la parte frontal de la unidad en el panel inferior. Anótese este número para cualquier referencia a él en el futuro (garantía, etc.).



2. Funciones y controles



2.1. Panel superior

① MIC EQ

Ecualizador de dos bandas para la señal de entrada de micrófono.

② MIC LEVEL

Ajusta el nivel de la señal de entrada MIC.

③ TRIM

Ajusta el nivel de la señal de entrada de cada PGM.

NOTA

Debe hacer todos los ajustes de la sensibilidad de entrada usando cuidadosamente el medidor de nivel y/o los auriculares como referencia, evitando que todos los pilotos rojos del medidor se iluminen, ya que en caso contrario la entrada puede saturarse (sobrecargarse).

④ PGM EQ

Ecualizador de 2 bandas para cada señal PGM.

⑤ PHONES LEVEL

Ajusta el nivel de salida de los auriculares.

⑥ MONITOR MASTER/CUE

Elige el modo de monitorización por los auriculares.

CUE: Esta forma le permite monitorizar las señales PGM ajustadas por el fader de balance de escucha (cue).

MASTER: Esto le permite monitorizar la señal MASTER.

⑦ CUE BALANCE

Ajusta el balance entre las señales PGM 1 y PGM 2 por los auriculares.

⑧ CROSS FADER CURVE

Le permite ajustar la curva de respuesta del CROSS FADER desde suave (hacia la izquierda) a dura (a la derecha).

⑨ CROSS FADER REVERSE

Ajusta la dirección operativa del CROSS FADER.

NORMAL: El mover el CROSS FADER hacia A hace que la señal A sea más potente y la otra desaparezca.

REVERSE: El mover el CROSS FADER hacia A hace que la señal B sea más potente y la otra desaparezca.

⑩ PHONO/LINE

Elige la señal de entrada (PHONO o LINE) de cada PGM.

⑪ FADER PGM

Ajusta el nivel de PGM.

El FADER PGM puede ser sustituido por el usuario.

⑫ CROSS FADER

Mezcla las señales PGM 1 y PGM 2.

Este CROSS FADER puede ser sustituido por el usuario. Es posible ajustar la curva del CROSS FADER y su inversión.

⑬ MEDIDOR DE NIVEL DE ENTRADA

Indica el nivel de señal de cada PGM.

Los pilotos de más abajo son indicadores de encendido. Cuando enciende la unidad, estos pilotos se iluminan.

NOTA

Este medidor da indicación de las señales post EQ.

⑭ Indicadores CROSSFADER REVERSE

Quando el CROSS FADER es invertido, este piloto se ilumina.

⑮ MASTER 1 LEVEL

Ajusta el nivel de salida de la salida MASTER OUT 1 (conectores XLR balanceados).

⑯ MASTER 2 LEVEL

Ajusta el nivel de salida de la salida MASTER OUT 2 (clavijas RCA no balanceadas).

2.2. Cómo sustituir el fader

1. Quite la parte exterior de los faders.
2. Quite los cuatro tornillos de la superficie del panel del fader.
3. Quite el panel del fader.
4. Quite los tornillos que correspondan al fader que quiera sustituir.
5. Quite el conector multicable que está conectado al fader.
6. Sustituya ese fader por el nuevo.
7. Vuelva a colocar el conector multicable.
8. Vuelva a colocar el fader con los tornillos.
9. Coloque de nuevo el panel del fader con los tornillos.
10. Finalmente, vuelva a colocar los mandos exteriores de los faders.

2.3. Panel trasero

⑰ MIC INPUT (conector XLR/TRS balanceado)

Conecte el micrófono a esta toma.

Los conectores están cableados de esta forma:

	TRS
ACTIVO:	Punta
PASIVO:	Anillo
MASA:	Lateral

NOTA

Si conecta en esta toma un micro no balanceado, le recomendamos que cortocircuite el pasivo (punta 3 o anillo) con la masa (punta 1 o lateral).

⑱ ADJ

Ajusta la ganancia de la señal de entrada de micrófono.

NOTA

Debe hacer el ajuste de la sensibilidad de entrada de MIC usando con cuidado los auriculares como una referencia y evitando que la señal saturate (se sobrecargue).

⑲ PHONO INPUTS (clavijas RCA no balanceadas)

Conecte a estas entradas un giradiscos equipado con un cartucho o aguja MM.

⑳ Terminal GND

Si los giradiscos vienen con cables de conexión a tierra, conecte estos cables al terminal GND para reducir los ruidos y zumbidos.

㉑ LINE INPUTS (clavijas RCA no balanceadas)

Conecte aquí las unidades con nivel de línea, como reproductores CD, pletinas, DAT, MD, etc.

㉒ EXT INPUT (clavijas RCA no balanceadas)

Conecte aquí aparatos externos con nivel de línea.

Las señales de entrada de estos conectores son mezcladas en el bus master (pre control MASTER 1/2).

㉓ REC OUTPUT (clavijas RCA no balanceadas)

Dan salida a la señal pre MASTER 1/2.

Por ejemplo, si conecta una grabadora a estas tomas, podrá grabar su actuación en vivo antes del control MASTER LEVEL.

㉔ MASTER OUTPUT 1

(conector XLR balanceado)

Dan salida a la señal de salida master ajustada por el control MASTER 1.

El cableado es el siguiente:

ACTIVO:	Punta 2
PASIVO:	Punta 3
MASA:	Punta 1

㉕ MASTER OUTPUT 2 (clavijas RCA no balanceadas)

Dan salida a la señal de salida master ajustada por el control MASTER 2.

㉖ Interruptor POWER

㉗ Conector AC POWER

2.4. Panel frontal

㉘ PHONES

Conecte a esta salida sus auriculares.

3. Modificación

3.1. Nivel de salida

El XS-4 tiene dos salidas MASTER.

MASTER OUTPUT 1 (27): conectores XLR balanceados

MASTER OUTPUT 2 (28): clavijas RCA no balanceadas

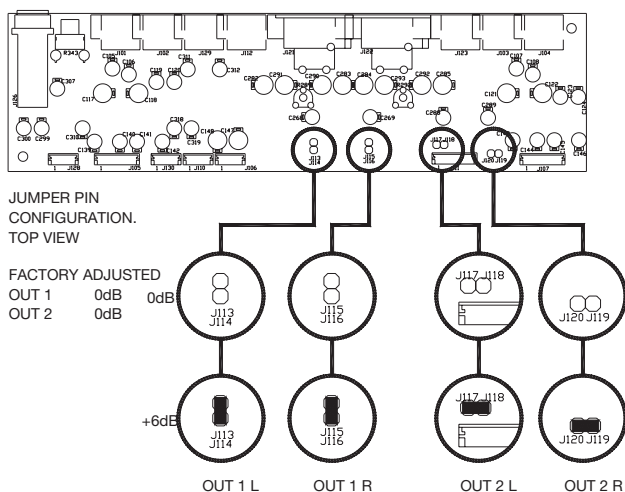
El nivel de salida está ajustado a 0 dBV. Puede modificar estos niveles de salida hasta +6dBV con unos puentes eléctricos. (vea el diagrama de abajo).

PRECAUTION

Cualquier cambio en el nivel de salida debe ser realizado por un técnico cualificado.

NOTA

Debe tener mucho cuidado cuando esté ajustando el nivel de salida nominal de la mesa de mezclas. La indicación "clip" de las etapas de potencia a las que esté conectada esta unidad nunca debe quedar iluminadas fijas de forma permanente, y solo deben parpadear en momentos puntuales con el ritmo de las señales más graves que sean reproducidas.

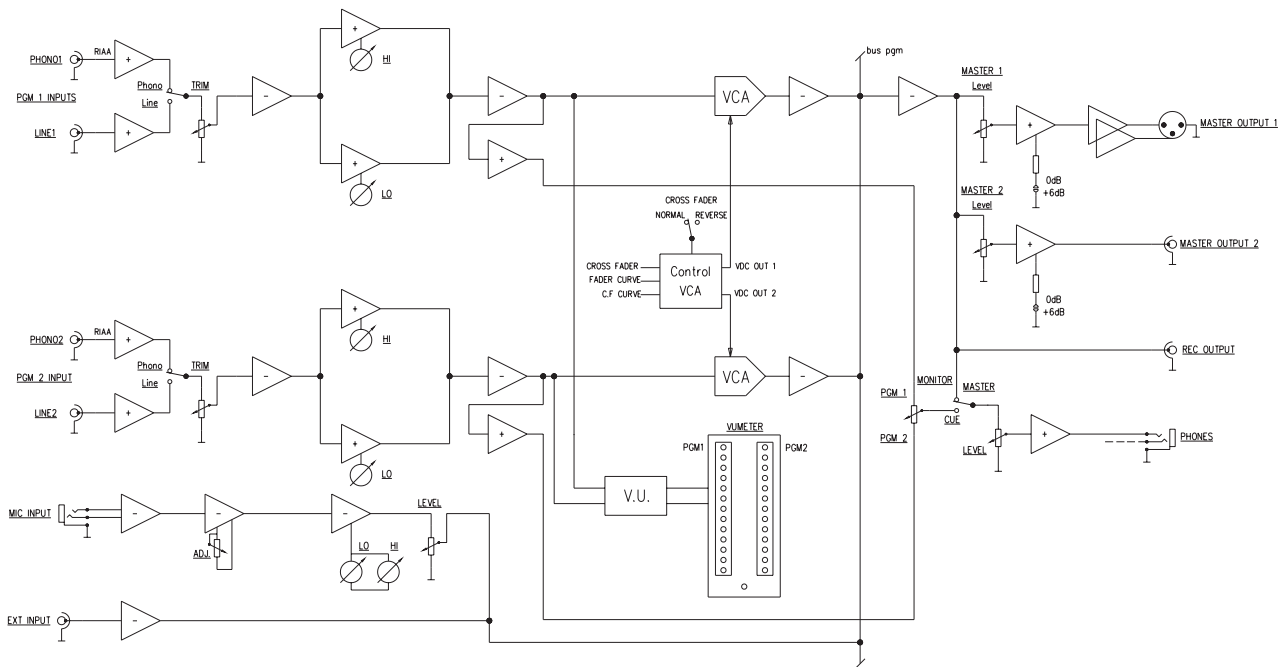


4. Especificaciones técnicas

LINE IN (PGM1-4):	RCA, no balanceado
Nivel de entrada:	-10 dBV
Impedancia de entrada:	50 kohmios
PHONO IN (PGM1-4)	RCA, no balanceado
Nivel de entrada:	-45 dBV
Impedancia de entrada:	50 kohmios
MIC INPUT	TRS, balanceado
Nivel de entrada:	-50 dBV ~ -30 dBV
Impedancia de entrada:	1.5 kohmios
EXT INPUT:	RCA, no balanceado
Nivel de entrada:	0 dBV
Impedancia de entrada:	20 kohmios
MASTER OUT 1:	XLR, balanceado
Nivel salida nominal:	0 dBV
Impedancia de salida:	600 ohmios
MASTER OUT 2:	RCA, no balanceado
Nivel salida nominal:	0 dBV
Impedancia de salida:	1 kohmios
REC OUT:	RCA, no balanceado
Nivel salida nominal:	0 dBV
Impedancia de salida:	10 kohmios
AURICULARES:	230 mW, (a 400 ohmios)
Respuesta de frecuencia:	
LINE IN:	10 Hz a 30 KHz, -1.0 dB
PHONO IN:	RIAA, +/-0.5dB
MIC IN:	10 Hz a 30 KHz, -1.0 dB
Relación señal-ruido:	
LINE IN:	95 dB (IHF MEDICION A)
PHONO IN:	90 dB (IHF MEDICION A)
MIC IN:	75 dB (IHF MEDICION A)
Distorsión armónica total:	
LINE IN:	<0.08%
PHONO IN:	<0.09%
MIC IN:	<0.15%
EQ	
HIGH:	6.5kHz, +10dB~-30dB
LOW:	200Hz, +10dB~-30dB
Alimentación:	100V-240V(50Hz-60Hz)
Consumo:	22 VA
Dimensiones (mm):	265(L) x 80(A) x 325(P)
Peso:	3.6 Kg.

Todas las especificaciones están sujetas a cambios sin previo aviso.

5. Block diagram / Schéma synoptique / Blockschaltbild / Schema a blocchi / Diagrama de bloques



TEAC CORPORATION

Phone: (0422) 52-5082

3-7-3, Nakacho, Musashino-shi, Tokyo 180-8550, Japan

TEAC AMERICA, INC.

Phone: (323) 726-0303

7733 Telegraph Road, Montebello, CA 90640

TEAC CANADA LTD.

Phone: 905-890-8008 Facsimile: 905-890-9888

5939 Wallace Street, Mississauga, Ontario L4Z 1Z8, Canada

TEAC MEXICO, S.A. De C.V

Phone: 5-581-5500

Campesinos No.184, Colonia Granjes Esmeralda, Delegacion Iztapalapa CP 09810, Mexico DF

TEAC UK LIMITED

Phone: 01923-819699

5 Marlin House, Croxley Business Park, Watford, Hertfordshire, WD1 8TE, U.K.

TEAC DEUTSCHLAND GmbH

Phone: 0611-71580

Bahnstrasse 12, 65205 Wiesbaden-Erbenheim, Germany

TEAC FRANCE S. A.

Phone: 01.42.37.01.02

17 Rue Alexis-de-Tocqueville, CE 005 92182 Antony Cedex, France

TEAC BELGIUM NV/SA

Phone: 0031-162-510210

Oeverkruid 15, NL-4941 VV Raamsdonksveer, Netherlands

TEAC NEDERLAND BV

Phone: 0162-510210

Oeverkruid 15, NL-4941 VV Raamsdonksveer, Netherlands

TEAC AUSTRALIA PTY.,LTD. A.B.N. 80 005 408 462

Phone: (03) 9672-2400 Facsimile: (03)9672-2249

280 William Street, Port Melbourne, Victoria 3000, Australia

TEAC ITALIANA S.p.A.

Phone: 02-66010500

Via C. Cantù 11, 20092 Cinisello Balsamo, Milano, Italy